

For Mixing Tempering Valve Applications

Job Name _____

Contractor _____

Job Location _____

Approval _____

Engineer _____

Contractor's P.O. No. _____

Approval _____

Representative _____

LEAD FREE*

Model LFCS Check Stop Valves

Sizes: 1/2"

Model LFCS check stop valves are designed for use at the hot and cold water inlet supplies for mixing and tempering valves. Model LFCS valves perform triple duty as: 1) isolation valves, 2) check valves, and 3) strainers. The union connections facilitate service and maintenance of both the valve and the strainer.

Model LFCS valve protects against cross flow of hot and cold water in the system and provide isolation of the mixing or tempering valve during servicing and maintenance of the valve and strainer. The integral fine strainer protects the valve from damaging dirt and other debris. The Model LFCS valve features Lead Free* construction to comply with Lead Free* installation requirements.

Features

- Performs triple duty as: 1) check valve, 2) shutoff valve, and 3) strainer
- Check valve function protects against hot and cold water supply cross flow
- Shut-off function facilitates mixing valve service and strainer maintenance
- Strainer protects mixing valves from dirt and other debris
- Universal design eliminates left-hand/right-hand confusion

Materials

Body:	Lead Free* Copper Silicon Alloy
O-rings:	EPDM
Strainer:	Stainless steel
Spring:	Stainless steel
Disc:	EPDM
Stem:	Lead Free* Brass



LFCS-T-UT

Specifications

LFCS combination check/stop/strainer valve shall be used at the hot and cold water inlets to the Watts LFL111 and LFMMV mixing valves. The combination check stop valve(s) shall be a Watts model LFCS, as indicated on the installation plans. The combination check stop valve shall be of lead free construction. Lead Free* check stop shall comply with state codes and standards, where applicable, requiring reduced lead content. The check stop valve shall be fitted with a strainer to prevent large particulate matter from entering the valve. The check stop valve shall be fitted with a union connection to facilitate the removal of the mixing valve and the servicing of the strainer. The check stop valve inlet connection shall be threaded (-T). The outlet connection shall be threaded (-UT). The check/stop/strainer valve(s) used shall be the Watts LFCS Check Stop valve.

Pressure – Temperature

Maximum Working Pressure: 150psi (10.3 bar) at 225°F (107°C)

NOTICE

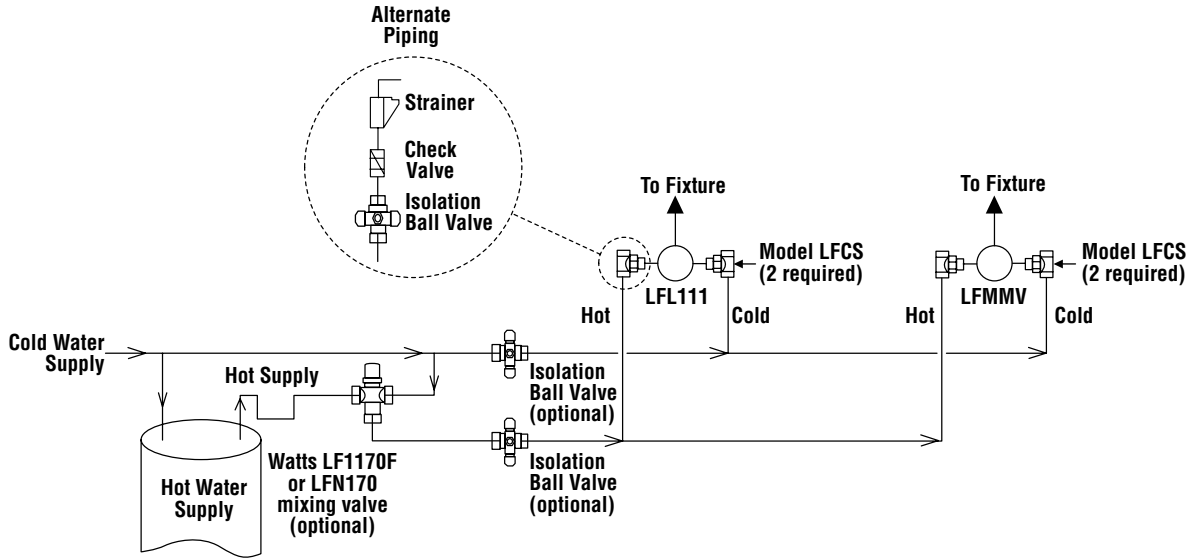
The information contained herein is not intended to replace the full product installation and safety information available or the experience of a trained product installer. You are required to thoroughly read all installation instructions and product safety information before beginning the installation of this product.

NOTICE

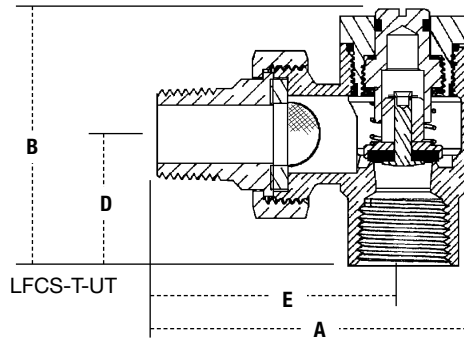
Inquire with governing authorities for local installation requirements

*The wetted surface of this product contacted by consumable water contains less than 0.25% of lead by weight.

Installation



Dimensions – Weight



MODEL	SIZE		DIMENSIONS								WEIGHTS		UNION	
	INLET	OUTLET	A	B	D	E					oz.	gr	Inlet	Outlet
	<i>in.</i>	<i>in.</i>	<i>in.</i>	<i>mm</i>	<i>in.</i>	<i>mm</i>	<i>in.</i>	<i>mm</i>	<i>in.</i>	<i>mm</i>				
CS-T-UT	½	½	2⅞	73	1⅞	59	1⅞	30	2¼	57	12	340	FNPT	MNPT

