

# Engineering Specification

Job Name \_\_\_\_\_  
 Job Location \_\_\_\_\_  
 Engineer \_\_\_\_\_  
 Approval \_\_\_\_\_

Contractor \_\_\_\_\_  
 Approval \_\_\_\_\_  
 Contractor's P.O. No. \_\_\_\_\_  
 Representative \_\_\_\_\_

## Dead Level® D Pre-Sloped Polypropylene Trench Drain System with Ductile Iron



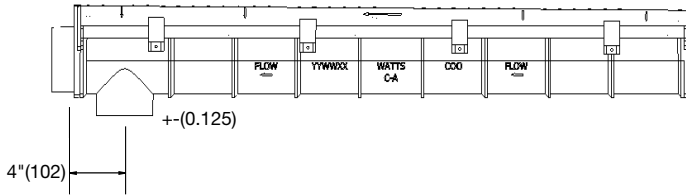
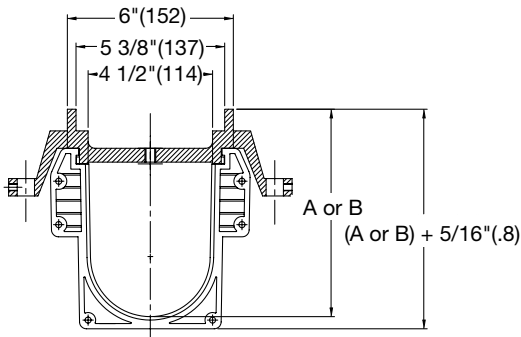
### Specification

Watts Dead Level® D Pre-Sloped Trench Drain System with 6" wide x 48" long (standard) ductile iron frame, UV stabilized talc-filled polypropylene channels with integral 4" No hub bottom or end outlet(s). System shall be frame-anchored, with (specify) grating to suit DIN Class (specify) load rating. System to include frame connectors, grate lockdowns, and construction covers. Installation to be performed in accordance with manufacturer's installation instructions.

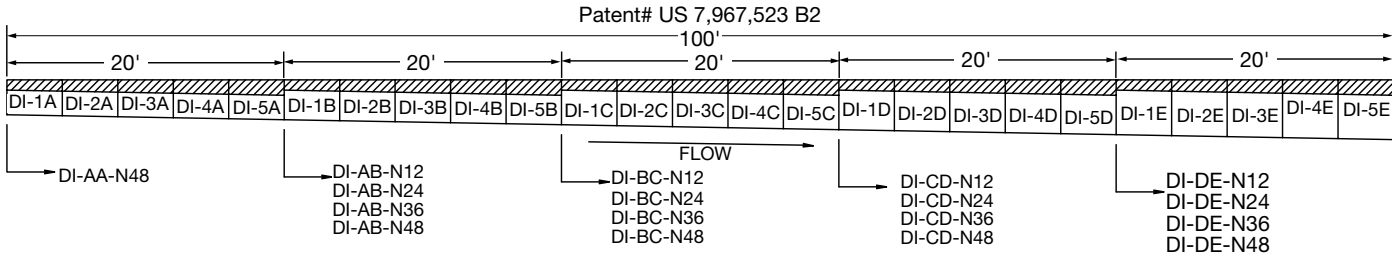
Call customer service if you need assistance with technical details.

Suffix	Options Description	
-B6	6" x 24" x 24" Catch Basin	<input type="checkbox"/>
-B6T	6" x 24" x 24" Catch Basin w/Trash Basket	<input type="checkbox"/>
-B24	24" x 24" x 24" Catch Basin (DI Grate Only)	<input type="checkbox"/>
-B24T	24" x 24" x 24" Catch Basin w/Trash Basket (DI Grate Only)	<input type="checkbox"/>
-FB	Bronze Frame Guard	<input type="checkbox"/>
-FG	Galvanized Steel Frame Guard	<input type="checkbox"/>
-FS	Stainless Steel Frame Guard	<input type="checkbox"/>
-OS	Outlet Strainer	<input type="checkbox"/>
-VP	Vandal Proof Grate Lockdowns	<input type="checkbox"/>

Grate Options		
Suffix	Description	
-BK	Stainless Steel Brickslot	<input type="checkbox"/>
-BR	Decorative Bronze	<input type="checkbox"/>
-DI	Ductile Iron	<input type="checkbox"/>
-DI-ADA	Ductile Iron ADA	<input type="checkbox"/>
-GDI	Galvanized Ductile Iron	<input type="checkbox"/>
-PP	Polypropylene	<input type="checkbox"/>
-GP	Galvanized Perforated	<input type="checkbox"/>
-GS	Galvanized Slotted	<input type="checkbox"/>
-RGP	Reinforced Galvanized Perforated	<input type="checkbox"/>
-RGS	Reinforced Galvanized Slotted	<input type="checkbox"/>
-SP	Stainless Steel Perforated	<input type="checkbox"/>
-SS	Stainless Steel Slotted	<input type="checkbox"/>
-RSP	Reinforced Stainless Steel Perforated	<input type="checkbox"/>
-RSS	Reinforced Stainless Steel Slotted	<input type="checkbox"/>
-SCI	Solid Cast Iron	<input type="checkbox"/>



**NOTICE**  
 The information contained herein is not intended to replace the full product installation and safety information available or the experience of a trained product installer. You are required to thoroughly read all installation instructions and product safety information before beginning the installation of this product.



Watts product specifications in U.S. customary units and metric are approximate and are provided for reference only. For precise measurements, please contact Watts Technical Service. Watts reserves the right to change or modify product design, construction, specifications, or materials without prior notice and without incurring any obligation to make such changes and modifications on Watts products previously or subsequently sold.



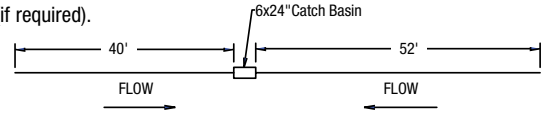
# Dead Level® D Dimensional Data

# How to Configure & Order Dead Level® Trench System

Part #	Configuration	Length	Weight	Dim. A	Dim. B
DI-AA-N48	Neutral	48"(1219)	31	5 5/8"(143)	5 5/8"(143)
DI-1A	Sloped	48"(1219)	31	5 5/8"(143)	5 15/16"(143)
DI-2A	Sloped	48"(1219)	38	5 15/16"(151)	6 1/4"(159)
DI-3A	Sloped	48"(1219)	40	6 1/4"(159)	6 9/16"(167)
DI-4A	Sloped	48"(1219)	43	6 9/16"(167)	6 7/8"(175)
DI-5A	Sloped	48"(1219)	45	6 7/8"(175)	7 3/16"(183)
DI-AB-N12	Neutral	12"(305)	9	7 3/16"(183)	7 3/16"(183)
DI-AB-N24	Neutral	24"(610)	18	7 3/16"(183)	7 3/16"(183)
DI-AB-N36	Neutral	36"(914)	26	7 3/16"(183)	7 3/16"(183)
DI-AB-N48	Neutral	48"(1219)	32	7 3/16"(183)	7 3/16"(183)
DI-1B	Sloped	48"(1219)	32	7 3/16"(183)	7 1/2"(191)
DI-2B	Sloped	48"(1219)	39	7 1/2"(191)	7 13/16"(198)
DI-3B	Sloped	48"(1219)	41	7 13/16"(198)	8 1/8"(206)
DI-4B	Sloped	48"(1219)	44	8 1/8"(206)	8 7/16"(214)
DI-5B	Sloped	48"(1219)	46	8 7/16"(214)	8 3/4"(222)
DI-BC-N12	Neutral	12"(305)	9	8 3/4"(222)	8 3/4"(222)
DI-BC-N24	Neutral	24"(610)	18	8 3/4"(222)	8 3/4"(222)
DI-BC-N36	Neutral	36"(914)	26	8 3/4"(222)	8 3/4"(222)
DI-BC-N48	Neutral	48"(1219)	32	8 3/4"(222)	8 3/4"(222)
DI-1C	Sloped	48"(1219)	33	8 3/4"(222)	9 1/16"(230)
DI-2C	Sloped	48"(1219)	40	9 1/16"(230)	9 3/8"(238)
DI-3C	Sloped	48"(1219)	42	9 3/8"(238)	9 11/16"(246)
DI-4C	Sloped	48"(1219)	45	9 11/16"(246)	10"(254)
DI-5C	Sloped	48"(1219)	47	10"(254)	10 5/16"(262)
DI-CD-N12	Neutral	12"(305)	9	10 5/16"(262)	10 5/16"(262)
DI-CD-N24	Neutral	24"(610)	18	10 5/16"(262)	10 5/16"(262)
DI-CD-N36	Neutral	36"(914)	26	10 5/16"(262)	10 5/16"(262)
DI-CD-N48	Neutral	48"(1219)	32	10 5/16"(262)	10 5/16"(262)
DI-1D	Sloped	48"(1219)	34	10 5/16"(262)	10 5/8"(270)
DI-2D	Sloped	48"(1219)	41	10 5/8"(270)	10 15/16"(262)
DI-3D	Sloped	48"(1219)	43	10 5/16"(262)	11 1/4"(286)
DI-4D	Sloped	48"(1219)	46	11 1/4"(286)	11 9/16"(294)
DI-5D	Sloped	48"(1219)	48	11 9/16"(294)	11 7/8"(302)
DI-DE-N12	Neutral	12"(305)	10	11 7/8"(302)	11 7/8"(302)
DI-DE-N24	Neutral	24"(610)	19	11 7/8"(302)	11 7/8"(302)
DI-DE-N36	Neutral	36"(914)	27	11 7/8"(302)	11 7/8"(302)
DI-DE-N48	Neutral	48"(1219)	33	11 7/8"(302)	11 7/8"(302)
DI-1E	Sloped	48"(1219)	35	11 7/8"(302)	12 3/16"(310)
DI-2E	Sloped	48"(1219)	42	12 3/16"(310)	12 1/2"(318)
DI-3E	Sloped	48"(1219)	44	12 1/2"(318)	12 13/16"(325)
DI-4E	Sloped	48"(1219)	47	12 13/16"(325)	13 1/8"(333)
DI-5E	Sloped	48"(1219)	49	13 1/8"(333)	13 7/16"(341)

## 1. Sketch General Layout

For each separate trench configuration show length(s), position of outlet(s), direction of flow(s), and position of catch basins (if required).



## 2. Specify Frame

Ductile Iron  
Polypropylene

## Ordering Code

D or DX  
P

## 3. Specify Length in Feet

(Do not include Catch Basins)

Numeric

## 4. Specify Outlet

Straight Run End Outlet  
Straight Run Center Outlet  
Other Configuration

EO  
CO  
XO

## 5. Specify Grating

Stainless Steel Brickslot  
Decorative Bronze  
Ductile Iron  
ADA Ductile Iron  
Galvanized Ductile Iron  
Galvanized Steel Slotted  
Galvanized Steel Perforated  
Stainless Steel Slotted  
Stainless Steel Perforated  
Reinforced Galvanized Steel Slotted  
Reinforced Galvanized Steel Perforated  
Reinforced Stainless Steel Slotted  
Reinforced Stainless Steel Perforated  
Polypropylene

BK  
BR  
DI  
DI-ADA  
GDI  
GS  
GP  
SS  
SP  
RGS  
RGP  
RSS  
RSP  
PP

## 6. Specify Catch Basin (If Required)

6" x 6" x 24" Catch Basin  
24" x 24" x 24" Catch Basin

B6  
B24

## 7. Specify Frame Guards (If Required)

Galvanized Steel  
Stainless Steel

FG  
FS

## 8a. Configure Straight Run (EO or CO)

### EX. P22-E0-RSS-B6-FS

P = Polypropylene

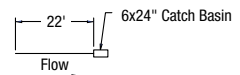
22 = Trench Length in Feet

EO = End Outlet

RSS = Reinforced Stainless Steel Slotted Grates

B6 = 6" x 24" x 24" Catch Basin

FS = Stainless Steel Frame Guard



## 8b. Configure Special Run (XO)

### EX. D84-X0-DI-B24

D = Ductile Iron Frame

84 = Trench Length in Feet

X0 = Other Configuration (Provide Sketch or Describe)

DI = Ductile Iron

B24 = 24" x 24" x 24" Catch Basin

