

# Engineering Specification

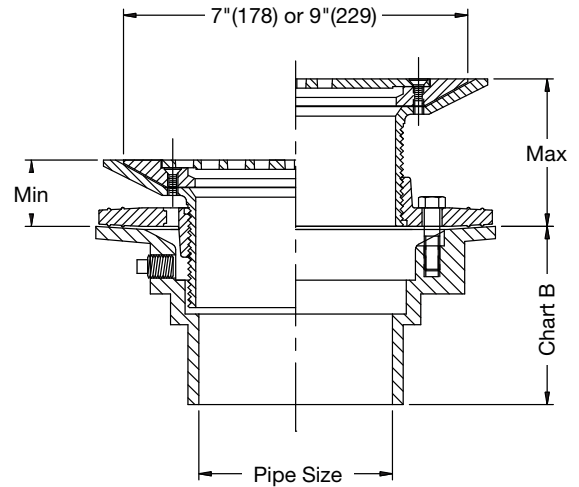
Job Name \_\_\_\_\_  
 Job Location \_\_\_\_\_  
 Engineer \_\_\_\_\_  
 Approval \_\_\_\_\_

Contractor \_\_\_\_\_  
 Approval \_\_\_\_\_  
 Contractor's P.O. No. \_\_\_\_\_  
 Representative \_\_\_\_\_

## FD-100-FC Floor Drain with Surface Membrane Clamp

### Specification

Watts FD-100-FC epoxy coated cast iron floor drain with anchor flange, reversible clamping collar with primary & secondary weepholes, adjustable heel proof nickel bronze strainer with surface membrane clamp, and no hub (standard) outlet.



Call customer service if you need assistance with technical details.

Pipe Sizing			Options		
Suffix	Description	<input type="checkbox"/>	Suffix	Description	<input type="checkbox"/>
2	2"(51) Pipe Size	<input type="checkbox"/>	-5	Sediment Bucket	<input type="checkbox"/>
3	3"(76) Pipe Size	<input type="checkbox"/>	-6	Vandal Proof	<input type="checkbox"/>
4	4"(102) Pipe Size	<input type="checkbox"/>	-7	Trap Primer Tapping	<input type="checkbox"/>
6	6"(152) Pipe Size (No Hub Only)	<input type="checkbox"/>	-8	Backwater Valve (2, 3, 4" Only)	<input type="checkbox"/>
			-13	Galvanized Body	<input type="checkbox"/>
			-15	Strainer Extension (DD-50)	<input type="checkbox"/>
			-F4-50	4" Round Cast Iron Funnel	<input type="checkbox"/>
			-F4-1	4" Round Nickel Bronze Funnel	<input type="checkbox"/>
			-F6-1	6" Round Nickel Bronze Funnel	<input type="checkbox"/>
			-G-50	4" x 9" Oval Cast Iron Funnel	<input type="checkbox"/>
			-G-1	4" x 9" Oval Nickel Bronze Funnel	<input type="checkbox"/>
			-S0	Side Outlet	<input type="checkbox"/>

Outlet Type		
Suffix	Description	<input type="checkbox"/>
NH	No Hub (MJ)	<input type="checkbox"/>
P	Push On	<input type="checkbox"/>
T	Threaded Outlet	<input type="checkbox"/>
X	Inside Caulk	<input type="checkbox"/>

Optional Body Material		
Suffix	Description	<input type="checkbox"/>
-60	PVC Body w/Socket Outlet	<input type="checkbox"/>
-61	ABS Body w/Socket Outlet	<input type="checkbox"/>

### Strainer Size

Str. Dia.	Min.	Max.	Load Rating	Free Area Sq. In.
7"(178)	1 3/8"(35)	3 3/8"(86)	MD	12
9"(229)	1 3/8"(35)	3 3/8"(86)	MD	15

### Chart B

Pipe Size	Std. No Hub	P Push On	T Female Thread	X Inside Caulk	60/61 PVC/ABS
2"(51)	3 5/8"(92)	4 1/4"(108)	4 1/4"(108)	4 1/2"(114)	4"(102)
3"(76)	3 5/8"(92)	4 1/4"(108)	4 1/4"(108)	4 1/2"(114)	4"(102)
4"(102)	3 5/8"(92)	4 1/4"(108)	4 1/4"(108)	4 1/2"(114)	4"(102)
6"(152)	3 1/2"(89)	-	-	-	-

### NOTICE

The information contained herein is not intended to replace the full product installation and safety information available or the experience of a trained product installer. You are required to thoroughly read all installation instructions and product safety information before beginning the installation of this product.

Watts product specifications in U.S. customary units and metric are approximate and are provided for reference only. For precise measurements, please contact Watts Technical Service. Watts reserves the right to change or modify product design, construction, specifications, or materials without prior notice and without incurring any obligation to make such changes and modifications on Watts products previously or subsequently sold.



**USA:** T: (800) 338-2581 • Watts.com  
**Canada:** T: (888) 208-8927 • Watts.ca  
**Latin America:** T: (52) 55-4122-0138 • Watts.com

