

# Engineering Specification

Job Name \_\_\_\_\_  
 Job Location \_\_\_\_\_  
 Engineer \_\_\_\_\_  
 Approval \_\_\_\_\_

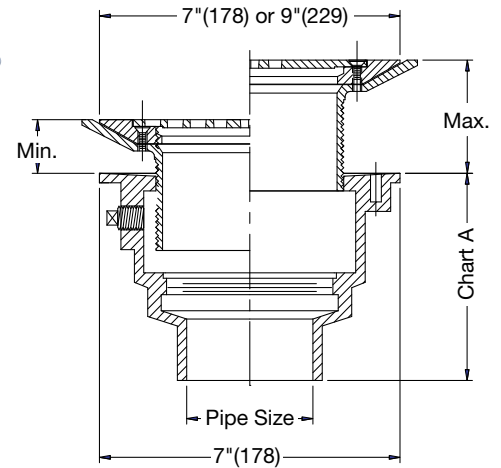
Contractor \_\_\_\_\_  
 Approval \_\_\_\_\_  
 Contractor's P.O. No. \_\_\_\_\_  
 Representative \_\_\_\_\_

## FD-200-FC Floor Drain with Surface Membrane Clamp

### Specification

Watts FD-200-FC on-grade epoxy coated cast iron floor drain with anchor flange, weepholes, adjustable round heel proof nickel bronze strainer with surface membrane clamp, and no hub (standard) outlet.

Call customer service if you need assistance with technical details.



Pipe Sizing	
Suffix	Description
2	2"(51) Pipe Size <input type="checkbox"/>
3	3"(76) Pipe Size <input type="checkbox"/>
4	4"(102) Pipe Size <input type="checkbox"/>

Outlet Type	
Suffix	Description
NH	No Hub (MJ) <input type="checkbox"/>
P	Push On <input type="checkbox"/>
X	Inside Caulk <input type="checkbox"/>

Strainer	
Suffix	Description
FC7	7"(178) Dia., Nickel Bronze <input type="checkbox"/>
FC9	9"(229) Dia., Nickel Bronze <input type="checkbox"/>

Optional Body Material	
Suffix	Description
-60	PVC Body w/Socket Outlet <input type="checkbox"/>
-61	ABS Body w/Socket Outlet <input type="checkbox"/>

Options	
Suffix	Description
-5	Sediment Bucket <input type="checkbox"/>
-6	Vandal Proof <input type="checkbox"/>
-7	Trap Primer Tapping <input type="checkbox"/>
-8	Backwater Valve (2, 3, 4" Only) <input type="checkbox"/>
-13	Galvanized Body <input type="checkbox"/>
-15	Strainer Extension (DD-50) <input type="checkbox"/>
-F4-50	4" Round Cast Iron Funnel <input type="checkbox"/>
-F4-1	4" Round Nickel Bronze Funnel <input type="checkbox"/>
-F6-1	6" Round Nickel Bronze Funnel <input type="checkbox"/>
-G-50	4" x 9" Oval Cast Iron Funnel <input type="checkbox"/>
-G-1	4" x 9" Oval Nickel Bronze Funnel <input type="checkbox"/>

### Strainer Size

Str. Dia.	Min.	Max.	Load Rating	Free Area Sq. In.
7"(178)	1 1/2"(38)	2 3/4"(70)	MD	9
9"(229)	1 1/2"(38)	2 3/4"(70)	MD	12

### Chart A

Pipe Size	No Hub	P Push On	60/61 PVC/ABS
2"(51)	4 1/2"(114)	5 1/2"(140)	4"(102)
3"(76)	4 1/2"(114)	5 1/2"(140)	4"(102)
4"(102)	4 3/4"(121)	5 1/2"(140)	4"(102)

### NOTICE

The load classifications are in accordance with the American National Standard ASME A112.21.1M ASME Ratings are as follows:  
 MD - Safe Live Load 2000-4999 lbs. (900-2250 kg)  
 The above categories are given as a guide only. Please consult factory.

### NOTICE

The information contained herein is not intended to replace the full product installation and safety information available or the experience of a trained product installer. You are required to thoroughly read all installation instructions and product safety information before beginning the installation of this product.

Watts product specifications in U.S. customary units and metric are approximate and are provided for reference only. For precise measurements, please contact Watts Technical Service. Watts reserves the right to change or modify product design, construction, specifications, or materials without prior notice and without incurring any obligation to make such changes and modifications on Watts products previously or subsequently sold.



USA: T: (800) 338-2581 • Watts.com  
 Canada: T: (888) 208-8927 • Watts.ca  
 Latin America: T: (52) 55-4122-0138 • Watts.com

