

Engineering Specification

Job Name _____

Contractor _____

Job Location _____

Approval _____

Engineer _____

Contractor's P.O. No. _____

Approval _____

Representative _____

Tag _____

FS-800 Sanitary Can Wash Drain

Specification

Watts FS-800 epoxy coated cast iron sanitary can wash drain with secured nickel bronze rim and grate, stainless steel sediment bucket, spray nozzle with 1/2" NPT pipe connection, and 4"(102) no hub (standard) outlet.



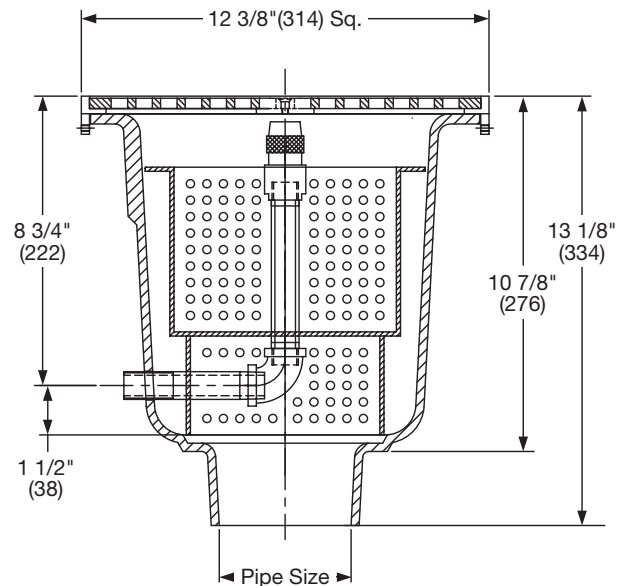
Pipe Sizing		
Suffix	Description	
4	4"(102) Pipe Size	<input type="checkbox"/>

Outlet Type		
Suffix	Description	
NH	No Hub (MJ)	<input type="checkbox"/>
P	Push-On	<input type="checkbox"/>

Options		
Suffix	Description	
-6	Vandal Proof (-1, Only)	<input type="checkbox"/>

Free Area Sq. In.
31

Please refer to watts.com for BAA information on specific models.



NOTICE

The information contained herein is not intended to replace the full product installation and safety information available or the experience of a trained product installer. You are required to thoroughly read all installation instructions and product safety information before beginning the installation of this product.

Watts product specifications in U.S. customary units and metric are approximate and are provided for reference only. For precise measurements, please contact Watts Technical Service. Watts reserves the right to change or modify product design, construction, specifications, or materials without prior notice and without incurring any obligation to make such changes and modifications on Watts products previously or subsequently sold.



USA: T: (800) 338-2581 • F: (828) 248-3929 • Watts.com

Canada: T: (888) 208-8927 • F: (905) 481-2316 • Watts.ca

Latin America: T: (52) 55-4122-0138 • Watts.com