

# Engineering Specification

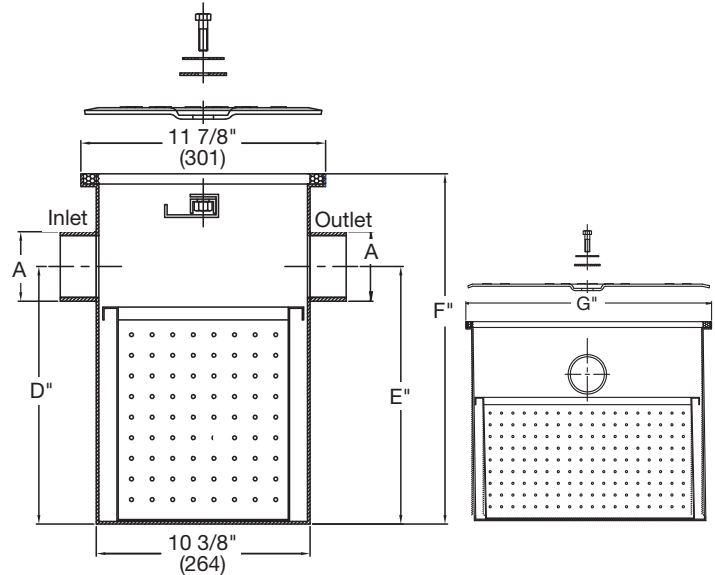
Job Name \_\_\_\_\_  
 Job Location \_\_\_\_\_  
 Engineer \_\_\_\_\_  
 Approval \_\_\_\_\_  
 Tag \_\_\_\_\_

Contractor \_\_\_\_\_  
 Approval \_\_\_\_\_  
 Contractor's P.O. No. \_\_\_\_\_  
 Representative \_\_\_\_\_

## SI-770 Solids Interceptor Specification

Watts SI-770 recessed or floor mounted epoxy coated steel solids interceptor with gasketed epoxy coated steel skid-proof cover secured with hex head center bolt(s), removable sediment basket, and no hub connection

Flow Rate		
Size	Description	
100	4 GPM	<input type="checkbox"/>
200	7 GPM	<input type="checkbox"/>
300	10 GPM	<input type="checkbox"/>
400	15 GPM	<input type="checkbox"/>
500	20 GPM	<input type="checkbox"/>
600	25 GPM	<input type="checkbox"/>
700	35 GPM	<input type="checkbox"/>
800	50 GPM	<input type="checkbox"/>
900	75 GPM	<input type="checkbox"/>
1000	100 GPM	<input type="checkbox"/>



Options		
Suffix	Description	
-E	Extension	<input type="checkbox"/>
-O	Inlet & Outlet (Other than Standard)	<input type="checkbox"/>
-SS	Stainless Steel	<input type="checkbox"/>
-THD	Threaded Connections	<input type="checkbox"/>

Size	"A" Inlet/Outlet Size	Flow Rate G.P.M.(L)	Solids Cap Cubic Ft. (m <sup>3</sup> )	Dimensions in Inches		
				"F"	"G"	"D/E"
100	2"(51)	4(15)	0.20(.006)	10"(254)	11 3/4"(298)	7 1/4"(184)
200	2"(51)	7(26)	0.29(.008)	11 1/8"(283)	13 3/4"(349)	8 1/8"(206)
300	2"(51)	10(38)	0.33(.009)	11 3/4"(298)	15 7/8"(403)	8 1/4"(210)
400	3"(76)	15(57)	0.38(.011)	13 3/8"(340)	18 5/8"(473)	9 3/8"(238)
500	3"(76)	20(76)	0.66(.019)	15"(381)	19 1/8"(488)	11 3/4"(298)
600	3"(76)	25(95)	0.79(.022)	17"(432)	21 3/4"(552)	12 1/2"(318)
700	3"(76)	35(132)	1.17(.033)	18 3/4"(476)	24 3/8"(619)	14 1/4"(362)
800	4"(102)	50(189)	1.35(.038)	21 1/8"(546)	24 3/8"(619)	16"(406)
900	4"(102)	75(284)	1.61(.046)	22 3/4"(578)	24 3/8"(619)	18 1/2"(470)
1000	4"(102)	100(379)	1.80(.051)	27"(686)	24 3/8"(619)	23"(584)

### NOTICE

The information contained herein is not intended to replace the full product installation and safety information available or the experience of a trained product installer. You are required to thoroughly read all installation instructions and product safety information before beginning the installation of this product.

Watts product specifications in U.S. customary units and metric are approximate and are provided for reference only. For precise measurements, please contact Watts Technical Service. Watts reserves the right to change or modify product design, construction, specifications, or materials without prior notice and without incurring any obligation to make such changes and modifications on Watts products previously or subsequently sold.



USA: T: (800) 338-2581 • F: (828) 248-3929 • Watts.com

Canada: T: (888) 208-8927 • F: (905) 481-2316 • Watts.ca

Latin America: T: (52) 55-4122-0138 • Watts.com