

For Commercial Applications

Job Name _____
 Job Location _____
 Engineer _____
 Approval _____
 Tag _____

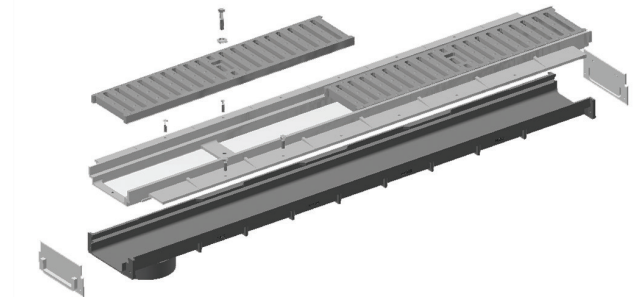
Contractor _____
 Approval _____
 Contractor's P.O. No. _____
 Representative _____

Dead Level® Z

Flanged Deck Channel

Specification

Watts Dead Level® Z Flanged Deck Channel system with 6"(152) wide x 48"(1219) long (standard) ductile iron frame, UV stabilized talc-filled polypropylene channels with integral 4"(102) IPS threaded bottom outlet. System shall be frame-anchored, with (specify) grating to suit DIN Class (specify) load rating. System to include frame anchors, grate lockdowns, and construction covers. System can be specified in 12"(305) increments. Installation to be performed in accordance with manufacturer's installation instructions.



Grate Options		
Suffix	Description	Load Class
-DI	Ductile Iron	Class F <input type="checkbox"/>
-DI-ADA	Ductile Iron ADA	Class F <input type="checkbox"/>
-GDI	Galvanized Ductile Iron*	Class F <input type="checkbox"/>
-RGP	Reinforced Galvanized Perforated	Class E <input type="checkbox"/>
-RGS	Reinforced Galvanized Slotted	Class E <input type="checkbox"/>
-RSP	Reinforced Stainless Steel Perforated	Class E <input type="checkbox"/>
-RSS	Reinforced Stainless Steel Slotted	Class E <input type="checkbox"/>

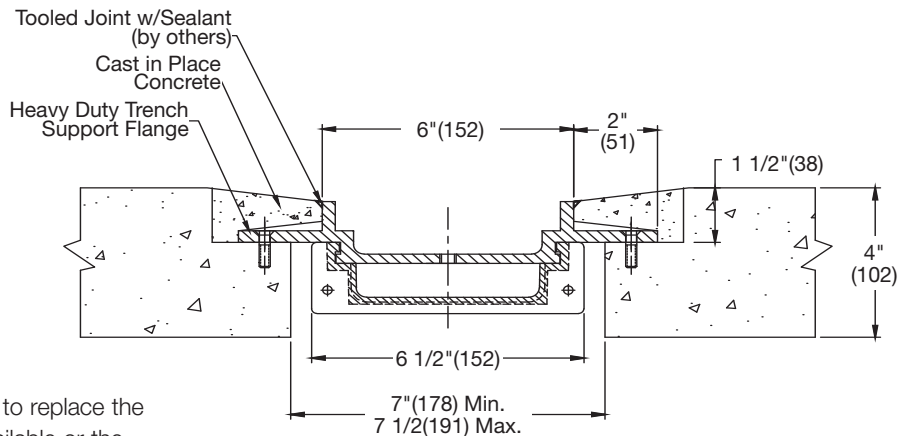
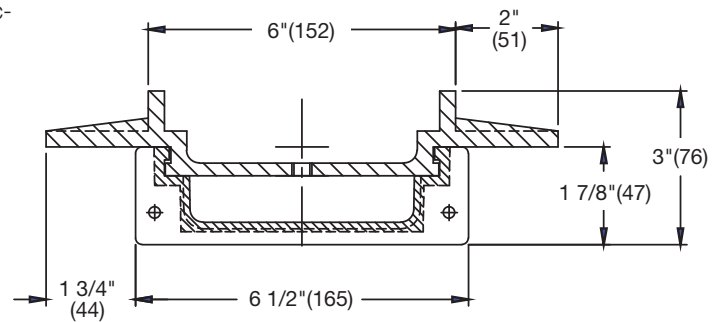
Options	
Suffix	Description
-FG	Galvanized Steel Frame Guard <input type="checkbox"/>
-FS	Stainless Steel Frame Guard <input type="checkbox"/>

Please refer to watts.com for BAA information on specific models.

NOTICE

The information contained herein is not intended to replace the full product installation and safety information available or the experience of a trained product installer. You are required to thoroughly read all installation instructions and product safety information before beginning the installation of this product.

Watts product specifications in U.S. customary units and metric are approximate and are provided for reference only. For precise measurements, please contact Watts Technical Service. Watts reserves the right to change or modify product design, construction, specifications, or materials without prior notice and without incurring any obligation to make such changes and modifications on Watts products previously or subsequently sold.



USA: T: (800) 338-2581 • F: (828) 248-3929 • Watts.com
Canada: T: (888) 208-8927 • F: (888) 479-2887 • Watts.ca
Latin America: T: (52) 55-4122-0138 • Watts.com