

Series W-H44T-16Q/Z

Swing Check Valve

Size: DN50-DN300

The series W-H44T Swing Check Valve is designed to protect against medium backflow. It's generally used in plumbing, HVAC, irrigation, commercial, and industrial application.

Features

- Simple structure
- Low head loss
- Long service life

Pressure-Temperature

- Nominal Pressure: PN16
- Temperature Range: -15°C~120°C

Test Pressures

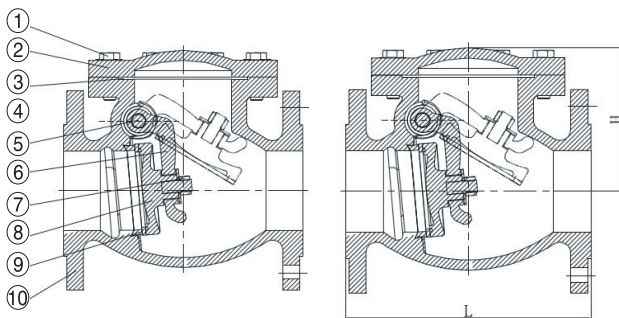
Hydraulic
Shell: 24 bar
Seat: 17.6 bar

Material

No.	Component	Material	Standard
1	Bolt	Stainless Steel	
2	Valve Bonnet	Ductile Iron(16Q) Cast Iron(16Z)	A536 A126
3	Gasket	Graphite	
4	Hinge Pin	Stainless Steel	
5	Plug	Stainless Steel	
6	Arm	Ductile Iron	A536
7	Bolt Assembly	Stainless Steel	
8	Valve Disc	Ductile Iron(16Q) Cast Iron(16Z)	A536 A126
9	Seat&Discing	Bronze	
10	Valve Body	Ductile Iron(16Q) Cast Iron(16Z)	A536 A126

Installation Dimensions

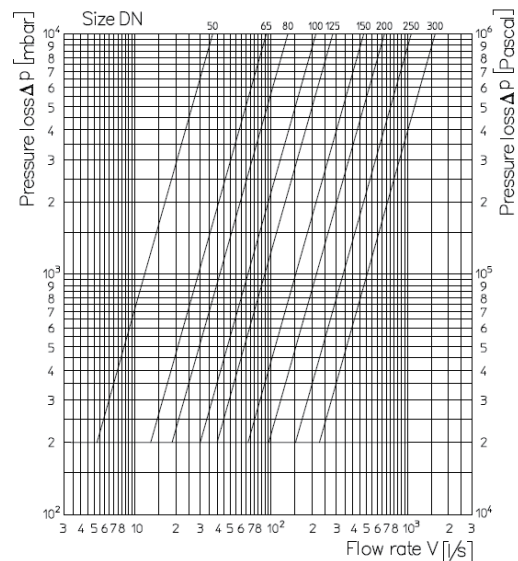
Dimension (mm)	DN(mm)								
	50	65	80	100	125	150	200	250	300
L	203	216	241	292	330	356	495	622	698
H	113	133	142	163	197	212	257	299	331



Specification

- Design Standard: BS5153
- Connection Standard: PN16 to EN 1092-2
- Connection: Flange
- Corrosion Protection: internally and externally liquid epoxy painted
- Medium: water, oil, gas

Characteristic Curve



Watts reserves the right to change or modify product design, construction, specifications, or materials without prior notice and without incurring any obligation to make such changes and modifications on Watts products previously or subsequently sold.