

Series W-L-FBV-BSPT

Bronze Ball Valve 2-Piece, Full Port

Size: DN15-DN50

The series W-L-FBV-BSPT Bronze Ball Valve is designed to be used for water, oil and gas, and also applies to aggressive media such as oxygen, hydrogen peroxide, methane, and ethylene, etc.

Features

- Suitable for a full range of liquids and gases
- Minimal pressure drop due to full-size ports
- Bottom loaded blowout proof stem
- Virgin PTFE stem packing seal, thrust washer and seat
- Vinyl insulator on heavy-duty zinc plated carbon steel handles
- Fast quarter-turn open or close operation
- Excellent for throttling and balancing application of non-abrasive fluids where the minimum flow is 20% to 100% of valve capacity
- Low operating torque
- Adjustable stem packing gland
- 600psi(41 bar) WOG, 125psi(8.6 bar) WSP

Pressure-Temperature

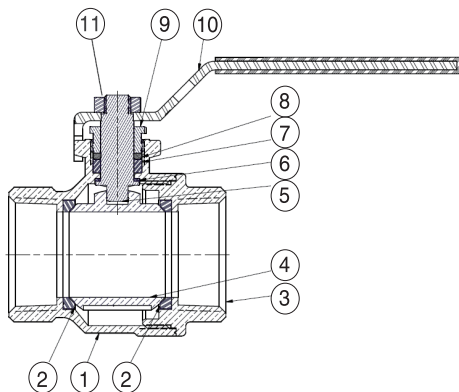
- Nominal Pressure: PN41
- Temperature Range: -18°C~177°C

Test Pressures

Pneumatic
Shell: 6 bar
Seat: 6 bar

Material

No.	Component	Material	Standard
1	Body	Lead Bronze	
2	Seats	Virgin PTFE	
3	Adaptor	Forged brass	
4	Ball	Stainless Steel	304
5	Stem	Brass	
6	Thrust Washer	Virgin PTFE	
7	Stem Packing	Virgin PTFE	
8	Packing Spacer		Hpb59-3
9	Packing Nut	Brass	
10	Handle	Zinc plated carbon steel with vinyl insulator	
11	Handle Nut	Zinc plated carbon steel	



Specification

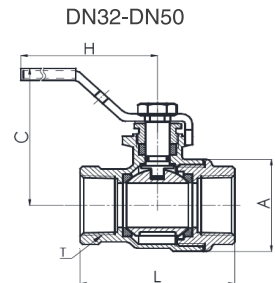
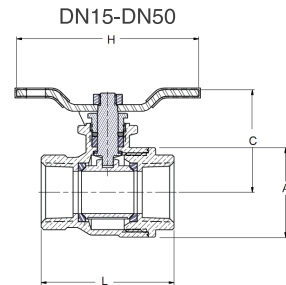
- Design standard: MSS SP-110
- Connection Standard: Thread BSPT to BS21
- Test Standard: MSS SP-110
- Medium: water, oil, gas

Approval

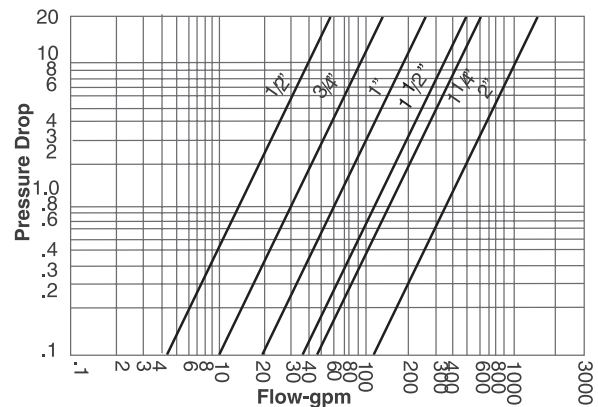


Installation Dimensions

DN	H	C	L	A	T
DN15	79.5	38.2	50.2	29.3	1/2"-14 PTF-SAESHORT
DN20	84.5	45.9	60.5	40.8	3/4"-14 PTF-SAESHORT
DN25	84.5	54.6	72.7	50.3	1"-11.5 PTF-SAESHORT
DN32	128.6	72.3	81.2	60.8	1 1/4"-11.5 PTF-SAESHORT
DN40	148.6	81.1	89.9	70.3	1 1/2"-11.5 PTF-SAESHORT
DN50	163.4	89.0	104.5	87.3	2"-11.5 PTF-SAESHORT



Characteristic Curve



Watts reserves the right to change or modify product design, construction, specifications, or materials without prior notice and without incurring any obligation to make such changes and modifications on Watts products previously or subsequently sold.