

## Series W-LFDEU

### Dielectric Unions

#### Size: DN15-DN50

The Watts Dielectric Unions W-LFDEU can be used in commercial and residential applications to prevent accelerated corrosion and deterioration in the piping system due to galvanic and stray current.

#### Features

- Designed and manufactured to the highest quality standards
- Factory certified to withstand a minimum of 600 volts on a dry line with no flashover
- Steel part is plated by zinc

#### Pressure-Temperature

- Nominal Pressure: PN20
- Temperature Range: 0°C~82°C

#### Material

No.	Component	Material	Standard
1	Adapter	Steel	20#
2	Gasket	EPDM	
3	Union Nut	Steel	20#
4	Insulator	Polysulfone	
5	Brass Adapter	Brass	C46500

#### Installation Dimensions

##### W-LFDEU-SFxBM-BSPT(DN20-DN25)

Connection Dimensions: BS EN10226(BS21)

Size (Steel)	Size (Brass)	H mm	L mm	A	B	Weight (Kg)
3/4"	3/4"	41	76	3/4" BSPT	3/4" BSPT	0.28
1"	1"	48	87	1" BSPT	1" BSPT	0.40

##### W-LFDEU-SMxBSLD-BSPT(DN15)

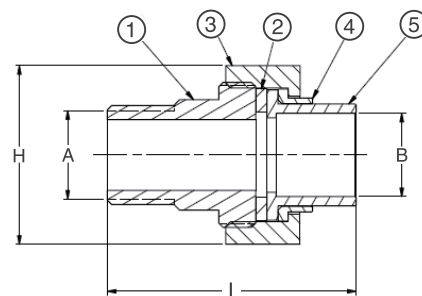
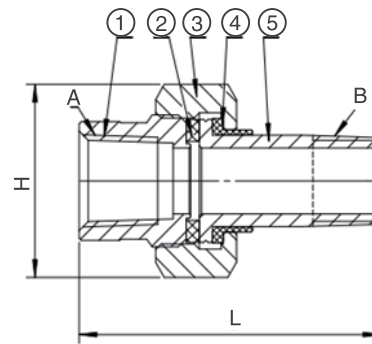
Connection Dimensions: BS EN10226(BS21)

Size		H		L		A	B	
A	B	In.	mm	In.	mm		In.	mm
1/2"	1/2"	1.50	38	2.48	63	1/2" BSPT Male	0.627/0.631	15.93/16.03



#### Specification

- Connection Type: Threaded NPT to ASME B1.20.1, BSPT to BS EN 10226(BS21)
- Dielectric Strength: >600 volts/mil
- Medium: Water, noncorrosive liquid

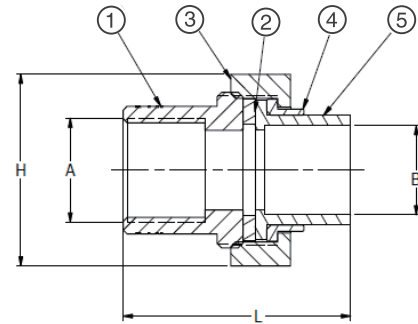


**Series W-LFDEU-SFxBSLD-NPT(DN15-DN50)**  
**Series W-LFDEU-SFxBSLD-BSPT(DN15, DN25, DN50)**  
 Connection Dimensions: ASME B1.20.1

Size		H		L		A	B	
A	B	In.	mm	In.	mm		In.	mm
1/2"	1/2"	1.50	38	2.05	52	1/2" NPT Female	0.627/0.631	15.93/16.03
3/4"	3/4"	1.61	41	2.17	55	3/4" NPT Female	0.877/0.881	22.28/22.38
1"	1"	1.89	48	2.05	52	1" NPT Female	1.128/1.132	28.65/28.75
1 1/4"	1 1/4"	2.24	57	2.24	57	1 1/4" NPT Female	1.378/1.382	35.00/35.10
1 1/2"	1 1/2"	2.76	70	2.68	68	1 1/2" NPT Female	1.628/1.633	41.35/41.48
2"	2"	3.50	89	2.80	71	2" NPT Female	2.128/2.133	54.05/54.18

Connection Dimensions: BS EN10226(BS21)

Size		H		L		A	B	
A	B	In.	mm	In.	mm		In.	mm
1/2"	1/2"	1.50	38	2.05	52	1/2" BSPT Female	0.627/0.631	15.93/16.03
1"	1"	1.89	48	2.05	52	1" NPT Female	1.128/1.132	28.65/28.75
2"	2"	3.50	89	2.80	71	2" NPT Female	2.128/2.133	54.05/54.18

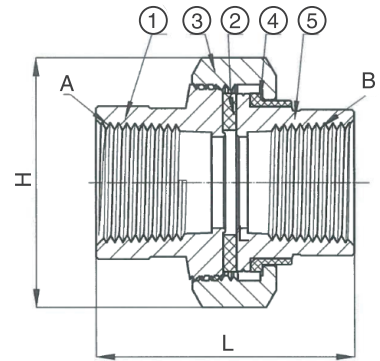


**Series W-LFDEU-SFxBF-NPT(DN20)**  
**Series W-LFDEU-SFxBSLD-BSPT(DN15-DN50)**  
 Connection Dimensions: ASME B1.20.1

Size		H		L		A	B	Weight(Kg)
A	B	In.	mm	In.	mm			
3/4"	3/4"	1.89	48	2.24	57	3/4" NPT	3/4" NPT	0.30

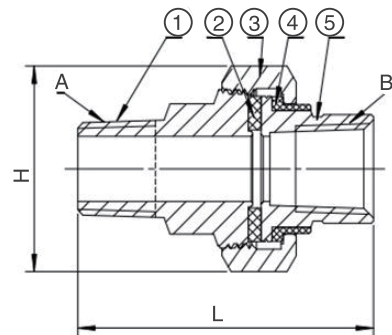
Connection Dimensions: BS EN10226(BS21)

Size		H		L		A	B	Weight (Kg)
A	B	In.	mm	In.	mm			
3/4"	3/4"	1.89	48	2.24	57	3/4" BSPT	3/4" BSPT	0.298
1"	1"	2.24	57	2.52	64	1" BSPT	1" BSPT	0.458
1 1/4"	1 1/4"	2.76	70	2.76	70	1 1/4" BSPT	1 1/4" BSPT	0.641
1 1/2"	1 1/2"	3.5	89	2.76	70	1 1/2" BSPT	1 1/2" BSPT	1.195
2"	2"	4.13	105	3.11	79	2" BSPT	2" BSPT	1.886



**Series W-LFDEU-SMxBF-BSPT(DN25)**  
 Connection Dimensions: BS EN10226(BS21)

Size (Steel)	Size (Brass)	H	L	A	B	Weight (Kg)
A	B	mm	mm			
1"	1"	57	87.5	1" BSPT	1" BSPT	0.64



Watts reserves the right to change or modify product design, construction, specifications, or materials without prior notice and without incurring any obligation to make such changes and modifications on Watts products previously or subsequently sold.