

Series W-STBV-TP

Test Points

The Series W-STBV-TP test point is an instrument for pressure and flow measurements. The intended usage is checking and documentation of water flow in heating and cooling constructions.

Features

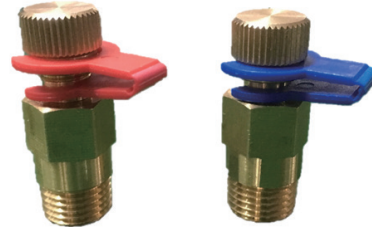
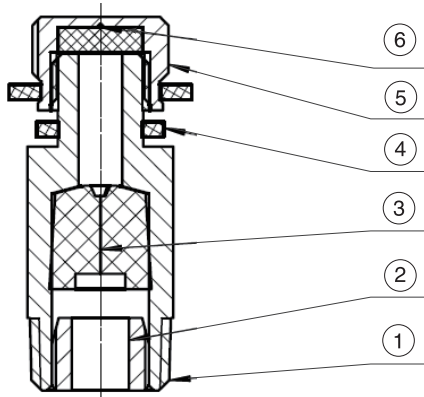
- Self-sealing measuring points
- Light weight and corrosion resistance
- Simple structure, convenient installation

Pressure-Temperature

- Temperature Range: -10°C~120°C

Material

No.	Component	Material	Standard
1	Body	BRASS-DZR	CW602N
2	Plug	BRASS-DZR	CW602N
3	Rubber	EPDM	
4	Belt	PP	
5	Cap	BRASS	Hpb59-3
6	Gasket	EPDM	



Specification

- Connection Standard: BSPT 1/4 to BS21-1985
NPT 1/4 to ASME B1.20.1
- Medium: cold and hot water/glycol

Installation Dimensions

