

Series W-W1911-EK/ET-ME

On-off/Regulating Electric Butterfly Valve

Size: DN50-DN600

The Watts Series W-W1911-EK-ME and W-W1911-ET-ME Electric butterfly valves are designed and manufactured to meet the stringent requirements of Plumbing, HVAC, irrigation, commercial and Industrial applications.

Features

- Simple structure, easy to operate
- Simple installation, excellent sealing performance
- High reliability and long durability
- Good compatibility
- Good sealing effect, with no pin and no backrest

Pressure-Temperature

- Nominal Pressure: PN16
- Temperature Range: -20°C~120°C

Test Pressures

Hydraulic

Shell:24 bar

Seat:17.6 bar

Material

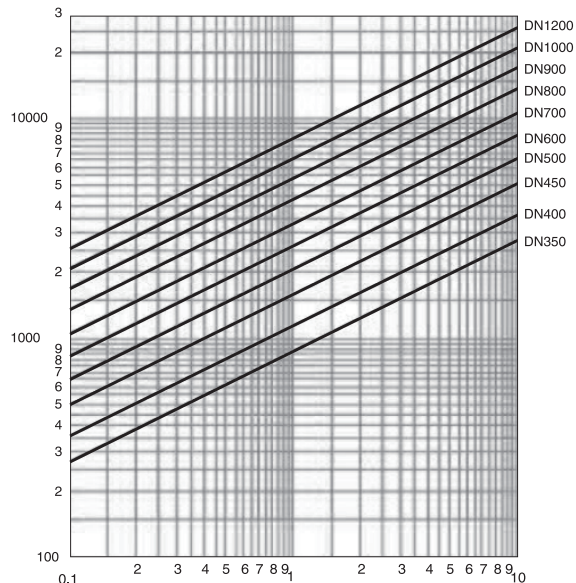
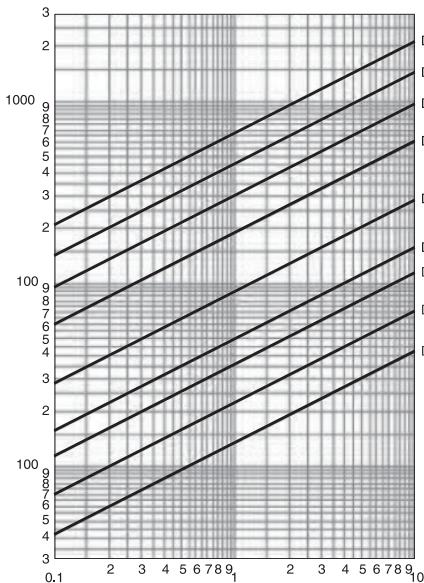
Component	Material	Standard
Body	Ductile Iron	QT450-10
	Cast Iron	HT250
Disc	Stainless Steel	CF8M
	Aluminum Bronze	C95400
	Ductile Iron(Nickel-plated)	QT450-10
	Ductile Iron(Epoxy-coated)	QT450-10
Seat	EPDM	
Stem	Stainless Steel	2Cr13

Specification

- Connection Standard: ISO7005-2:1998
BS EN1092-2:1997
- Connection Type: Lug Type
- Medium: water

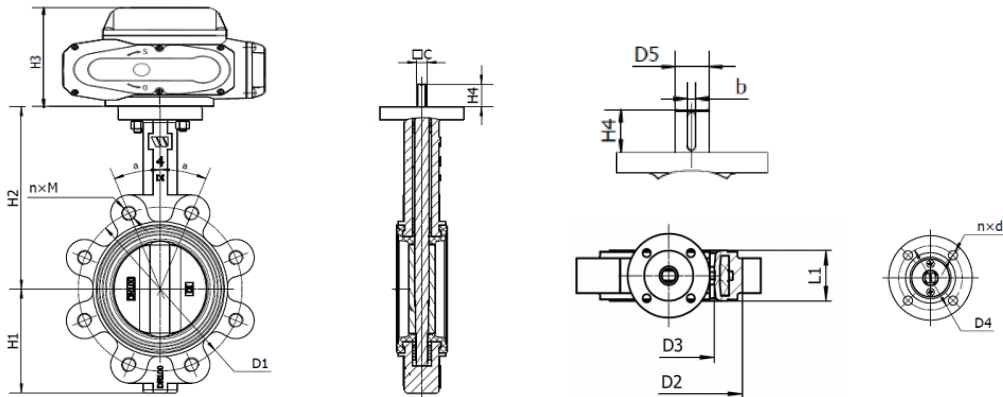


Characteristic Curves



Watts reserves the right to change or modify product design, construction, specifications, or materials without prior notice and without incurring any obligation to make such changes and modifications on Watts products previously or subsequently sold.

Installation Dimensions



4

Butterfly Valve

DN	H1	H2	H3	H4	ØE	L1	C/D5	b	D1	n x M	a	D2	D3	D4	n x Ød	Torque(N.m)		Actuator	
																Wet	Dry	Model	Model
50	80	143	144	24	150	43	9	-	Ø125	4xM16	45°	Ø89	Ø51.7	Ø70	4xØ10	15.1	24.2	W-AA1S-5	W-AA1M-5
65	89	155	144	24	150	46	9	-	Ø145	4xM16	45°	Ø105	Ø63.3	Ø70	4xØ10	17.2	32.7	W-AA1S-5	W-AA1M-5
80	95	162	144	24	150	46	9	-	Ø160	8xM16	22.5°	Ø120	Ø77.7	Ø70	4xØ10	23.1	43.7	W-AA1S-5	W-AA1M-5
100	114	177	144	26	150	52	11	-	Ø180	8xM16	22.5°	Ø148	Ø103.1	Ø70	4xØ10	39.8	72.8	W-AA1S-5	W-AA1M-5
125	127	190	167	26	150	56	14	-	Ø210	8xM16	22.5°	Ø170	Ø122.2	Ø70	4xØ10	61.9	108	W-AA1S-10	W-AA1M-10
150	139	204	167	26	150	56	14	-	Ø240	8xM20	22.5°	Ø203	Ø154.9	Ø70	4xØ10	102	174	W-AA1S-16	W-AA1M-16
200	175	236	201	26	298	60	17	-	Ø295	12xM20	15°	Ø255	Ø201.3	Ø102	4xØ12	192	330	W-AA1S-25	W-AA1M-25
250	203	266	201	26	298	68	22	-	Ø355	12xM24	15°	Ø303	Ø249.4	Ø102	4xØ12	323	549	W-AA1S-60	W-AA1M-60
300	242	307	201	26	298	78	22	-	Ø410	12xM24	15°	Ø355	Ø300.1	Ø102	4xØ12	490	799	W-AA1S-60	W-AA1M-60
350	288	368	251	40	298	78	Ø31.6	8	Ø470	16xM24	11.25°	Ø405	Ø331.5	Ø102	4xØ14	625	969	W-AA1S-100	W-AA1M-100
400	331	400	251	52	300	102	Ø33.15	10	Ø525	16xM27	11.25°	Ø470	Ø387.5	Ø140	4xØ18	846	1307	W-AA1S-200	W-AA1M-200
450	355	422	251	52	300	114	Ø38	10	Ø585	20xM27	9°	Ø525	Ø438.5	Ø140	4xØ18	1131	1787	W-AA1S-200	W-AA1M-200
500	388	480	309	64	300	127	Ø41.15	10	Ø650	20xM30	9°	Ø578	Ø488.8	Ø140	4xØ18	1431	2288	W-AA1S-400	W-AA1M-400
600	475	562	309	70	300	154	Ø50.65	16	Ø770	20xM33	9°	Ø693	Ø589.9	Ø165	4xØ22	2301	3711	W-AA1S-400	W-AA1M-400

Technical Data of Electric Actuator

Switch Type		
Model	Opening/closing time (Sec)	Technical Data
W-AA1S-5	30s	1. Protection rating: IP67 2. Insulation grade: class F 3. Fail safe 4. Limit switch 5. Manual override Power supply voltage: 220-240V/50Hz
W-AA1S-10	30s	
W-AA1S-16	30s	
W-AA1S-25	30s	
W-AA1S-60	30s	
W-AA1S-100	50s	
W-AA1S-200	100s	
W-AA1S-400	120s	

Regulating Type		
Model	Opening/closing time (Sec)	Technical Data
W-AA1M-5	30s	1. Protection rating: IP67 2. Insulation grade: class F 3. Fail safe 4. Manual override 5. Control signal (regulating type): 4-20mA Power supply voltage: 220-240V/50Hz
W-AA1M-10	30s	
W-AA1M-16	30s	
W-AA1M-25	30s	
W-AA1M-60	30s	
W-AA1M-100	50s	
W-AA1M-200	100s	
W-AA1M-400	120s	