

Series W-WB551

Series W-WB551-NPT/BSPT

Brass Y-Strainer

Size: DN15-DN50

The Watts Brass Strainer is designed to remove impurities in the medium to protect valve and equipment for normal use. It's generally used in Chilled water and other water treatment applications.

Features

- Low resistance
- Simple structure and convenient installation & cleaning
- Large pollutant-holding volume and convenient pollutant discharge

Pressure-Temperature

- Nominal Pressure: PN25
- Temperature Range: -30°C~95°C

Test Pressures

Hydraulic

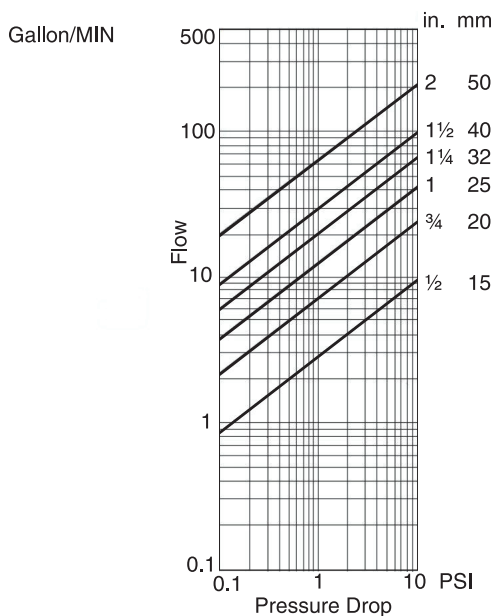
Shell: 37.5 bar

Seat: 27.5 bar

Material

No.	Component	Material	Standard
1	Body	Brass	HPb59-1
2	Bonnet	Brass	HPb59-1
3	Screen	Stainless Steel	304
4	O-Ring	NBR	

Characteristic Curve

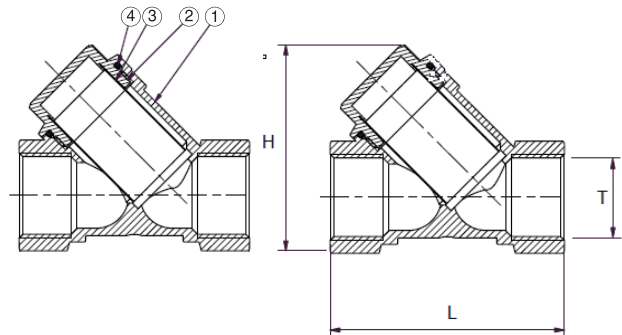


Specification

- Test Standard: GB/T 13927-2008
- Connection Standard: Threaded NPT to ASME B1.20.1
BSPT to BS 21
G to GB/T 7307
- Mesh Number: 30
- Working Medium: water, oil and gas

Typical Application

- Chilled water application
- Water plant and water source project
- Municipal facilities, power utilities



Installation Dimensions

Connection Dimensions: ASME B1.20.1/ BS 21 GB/T 7307

Size mm	DN(mm)			Weight (kg)
	L	H	T	
15	59	49	1/2"	173
20	65	64	3/4"	300
25	79	68.6	1"	400
32	97	89	1 1/4"	700
40	107	101.5	1 1/2"	900
50	128	115.6	2"	1300

Watts reserves the right to change or modify product design, construction, specifications, or materials without prior notice and without incurring any obligation to make such changes and modifications on Watts products previously or subsequently sold.