

Series W-WMS-16/25P

Metering Station

Size: DN50-DN600

The series W-WMS metering station is designed for up and down stream measurement.

Features

- Simple structure
- SS304 body

Pressure-Temperature

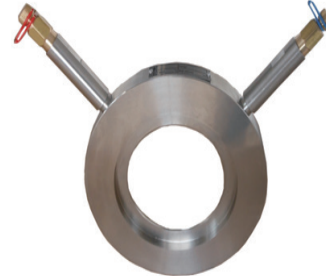
- Nominal Pressure: PN16(W-WMS-16P)
PN25(W-WMS-25P)
- Temperature Range: -10°C~120°C

Material

No.	Component	Material	Standard
1	Body	Stainless Steel	304
2	Extensions	Stainless Steel	304
3	Test Points	Brass	

Specification

- Connection Type: Wafer
- Medium: water



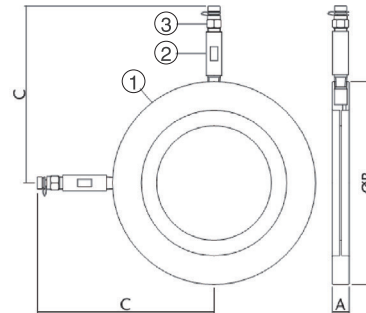
Installation Dimensions

W-WMS-16P

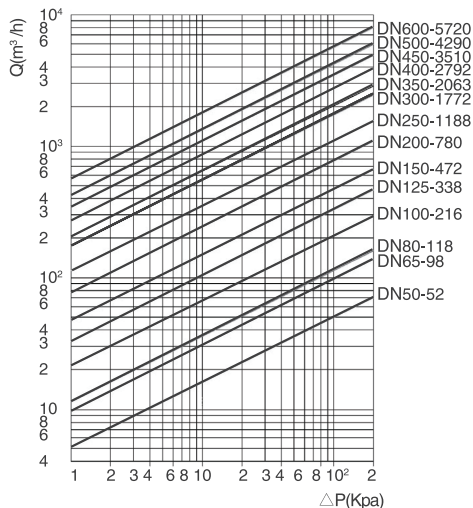
Size DN (mm)	DN(mm)													
	50	65	80	100	125	150	200	250	300	350	400	450	500	600
A	18	18	18	18	18	18	18	18	18	21	21	21	21	25
B	105	127	142	162	192	218	273	329	384	444	495	555	617	734
C	148	159	166	176	191	204	232	260	287	317	346	373	404	462

W-WMS-25P

Size DN (mm)	DN(mm)													
	50	65	80	100	125	150	200	250	300	350	400	450	500	600
A	18	18	18	18	18	18	18	18	18	21	21	21	21	25
B	105	127	142	168	194	224	284	340	400	457	514	564	624	731
C	148	159	166	179	192	207	237	265	295	324	352	377	407	461



Characteristic Curve



Watts reserves the right to change or modify product design, construction, specifications, or materials without prior notice and without incurring any obligation to make such changes and modifications on Watts products previously or subsequently sold.