

Engineering Specification

Job Name _____
 Job Location _____
 Engineer _____
 Approval _____
 Tag _____

Contractor _____
 Approval _____
 Contractor's P.O. No. _____
 Representative _____

FS-770 8" x 4" x 4" Deep Sanitary Floor Sink Specification

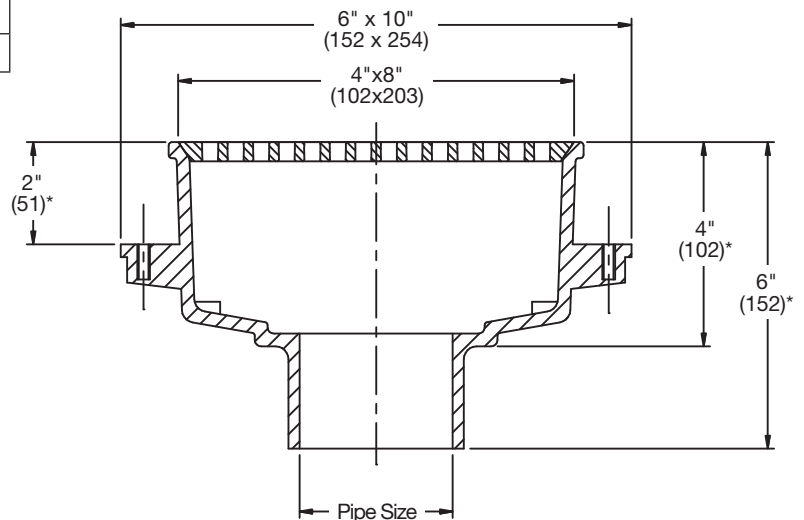
Watts FS-770 8" x 4" x 4"(102 x 203) rectangular x 4"(102) deep sanitary floor sink with white acid resistant porcelain enamel coated interior, loose set porcelain enamel coated cast iron grate, polypropylene dome bottom strainer, and no hub (standard) outlet.



Pipe Sizing		
Suffix	Description	
2	2"(51) Pipe Size	<input type="checkbox"/>
3	3"(76) Pipe Size	<input type="checkbox"/>

Outlet Type		
Suffix	Description	
NH	No Hub (MJ)	<input type="checkbox"/>
P	Push-On	<input type="checkbox"/>

Options		
Suffix	Description	
-F	Flange with Weepholes	<input type="checkbox"/>
-FC	Flange w/Weepholes & Flashing Clamp	<input type="checkbox"/>
-1	Nickel Bronze Top	<input type="checkbox"/>
-5	Sediment Bucket	<input type="checkbox"/>
-6	Vandal Proof (-1, Only)	<input type="checkbox"/>
-7	Trap Primer Tapping	<input type="checkbox"/>
-21	Secondary Strainer	<input type="checkbox"/>
-33	Less Grate	<input type="checkbox"/>
-150	1/2 Grate	<input type="checkbox"/>
-F4-1	4" Round Nickel Bronze Funnel	<input type="checkbox"/>
-F6-1	6" Round Nickel Bronze Funnel	<input type="checkbox"/>
-G-1	4x9" Oval Nickel Bronze Funnel	<input type="checkbox"/>



*Add 5/8"(16) for -1 Nickel Bronze Rim & Grate

Please refer to watts.com for BAA information on specific models.

Free Area Sq. In.	
Standard Grate	With -1 Rim & Grate
8	8

NOTICE

The information contained herein is not intended to replace the full product installation and safety information available or the experience of a trained product installer. You are required to thoroughly read all installation instructions and product safety information before beginning the installation of this product.

Watts product specifications in U.S. customary units and metric are approximate and are provided for reference only. For precise measurements, please contact Watts Technical Service. Watts reserves the right to change or modify product design, construction, specifications, or materials without prior notice and without incurring any obligation to make such changes and modifications on Watts products previously or subsequently sold.



USA: T: (800) 338-2581 • F: (828) 248-3929 • Watts.com
Canada: T: (888) 208-8927 • F: (905) 481-2316 • Watts.ca
Latin America: T: (52) 55-4122-0138 • Watts.com