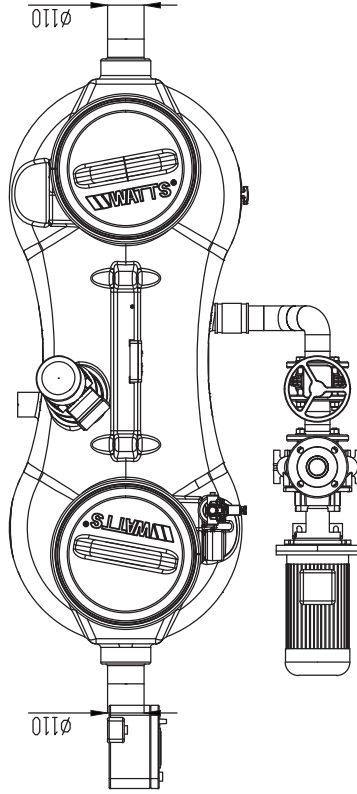
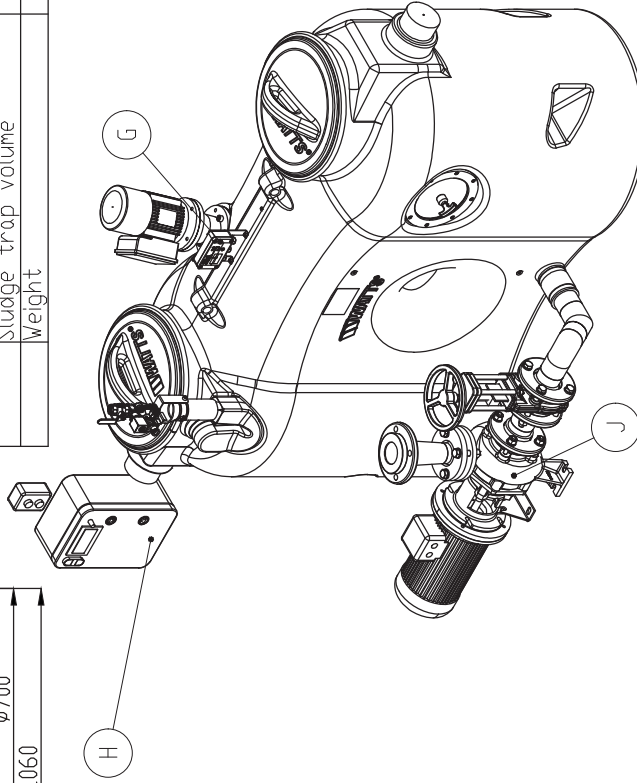
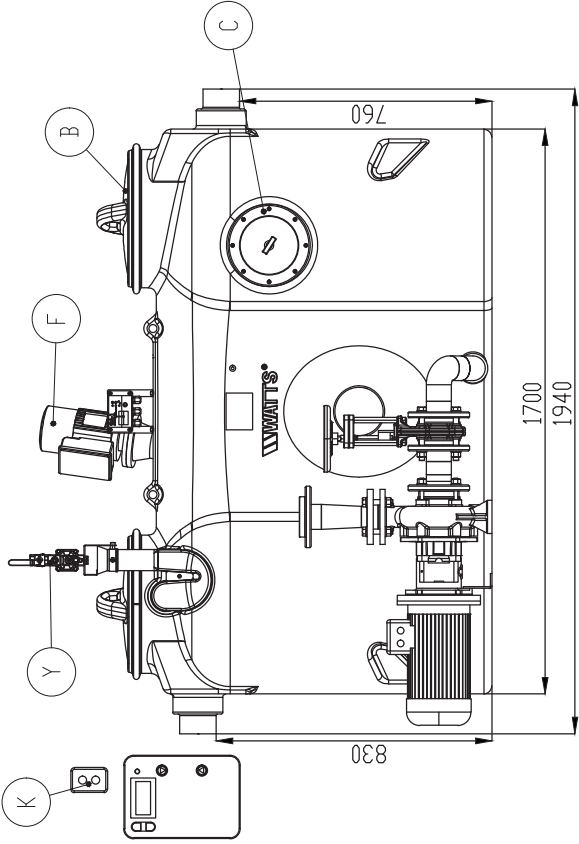
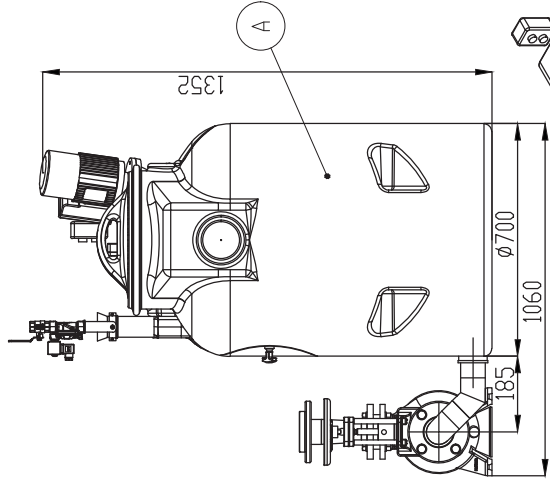


Position	Name	Quantity
A	AUTO-GI-2 Body	1
B	Lid with locking ring and gasket	2
C	Inspection window	1
Y	Automatic refilling unit	1
F	Mixer	1
G	Alarm	1
J	Disposal pump unit	1
H	Control panel	1
K	Remote control (optional)	1
	AUTO-GI-2 Pump technical characteristics	
	Flow rate	2 l/s
	Total volume	650 L
	Grease volume	80 L
	Separator volume	450 L
	Sludge trap volume	200 L
	Weight	198 kg



Product	AUTO-GI-Series
Description	Automatic Grease interceptor
Model	AUTO-GI-2
Flow rate	2L/S; 31 USGpm
Standard	BS EN1825
Material/Nominal size	PE/NS2

