

Engineering Specification

Job Name _____
 Job Location _____
 Engineer _____
 Approval _____

Contractor _____
 Approval _____
 Contractor's P.O. No. _____
 Representative _____

FD-320-EG

Area Drain with 8" Adjustable Top & 4" x 9" Cast Iron Open Throat Funnel

Specification

Watts FD-320-EG epoxy coated cast iron area drain with anchor flange, membrane clamp with weepholes, 8"(203) diameter adjustable top with ductile iron (standard) tractor grate, 4" x 9" open throat cast iron funnel and no hub (MJ) (standard) outlet.

Call customer service if you need assistance with technical details.

| Pipe Sizing | | |
|-------------|-------------------|--------------------------|
| Suffix | Description | |
| 2 | 2"(51) Pipe Size | <input type="checkbox"/> |
| 3 | 3"(76) Pipe Size | <input type="checkbox"/> |
| 4 | 4"(102) Pipe Size | <input type="checkbox"/> |
| 6 | 6"(152) Pipe Size | <input type="checkbox"/> |

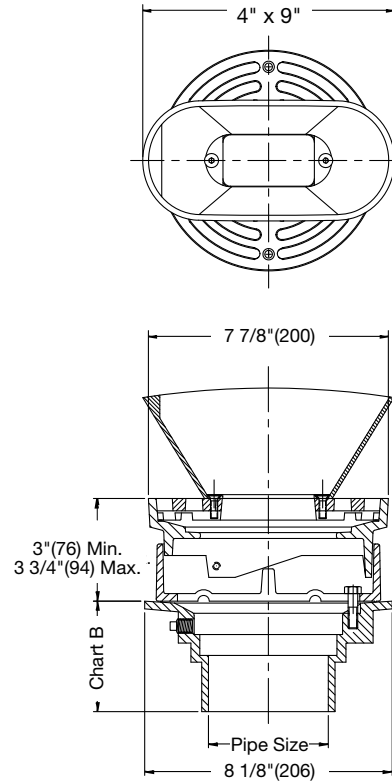
| Outlet Type | | |
|-------------|-----------------|--------------------------|
| Suffix | Description | |
| NH | No Hub (MJ) | <input type="checkbox"/> |
| P | Push On | <input type="checkbox"/> |
| T | Threaded Outlet | <input type="checkbox"/> |
| X | Inside Caulk | <input type="checkbox"/> |

| Grate | | |
|--------|--------------------------|--------------------------|
| Suffix | Description | |
| -4 | 7 7/8"(200) Ductile Iron | <input type="checkbox"/> |

| Options | | | |
|---------|--------------------------------|--------------------------|--|
| Suffix | Description | | |
| -5 | Sediment Bucket | <input type="checkbox"/> | |
| -6 | Vandal Proof | <input type="checkbox"/> | |
| -8 | Backwater Valve (3" & 4" Only) | <input type="checkbox"/> | |
| -81 | Bronze Dome | <input type="checkbox"/> | |
| B | Sump Receiver | <input type="checkbox"/> | |

| Optional Body Material | | |
|------------------------|--------------------------|--------------------------|
| Suffix | Description | |
| -60 | PVC Body w/Socket Outlet | <input type="checkbox"/> |
| -61 | ABS Body w/Socket Outlet | <input type="checkbox"/> |

| Load Rating | Free Area Sq. In. |
|-------------|-------------------|
| *XHD | 15 |



| Pipe Size | Std. No Hub | P Push On | T Female Thread | X Inside Caulk | 60/61 PVC/ABS |
|-----------|-------------|-------------|-----------------|----------------|---------------|
| 2"(51) | 3 5/8"(92) | 4 1/4"(108) | 4 1/4"(108) | 4 1/2"(114) | 3 3/4"(95) |
| 3"(76) | 3 5/8"(92) | 4 1/4"(108) | 4 1/4"(108) | 4 1/2"(114) | 3 3/4"(95) |
| 4"(102) | 3 5/8"(92) | 4 1/4"(108) | 4 1/4"(108) | 4 1/2"(114) | 4"(102) |
| 6"(152) | 3 1/2"(89) | | | | |

NOTICE

The information contained herein is not intended to replace the full product installation and safety information available or the experience of a trained product installer. You are required to thoroughly read all installation instructions and product safety information before beginning the installation of this product.

NOTICE

The load classifications are in accordance with the American National Standards ASME A112.21.1M ASME ratings are as follows:
 XHD Safe Live Load 7500 - 10,000 lbs. (3375 - 4500kg)
 The above categories are given as a guide only. Consult factory.

Watts product specifications in U.S. customary units and metric are approximate and are provided for reference only. For precise measurements, please contact Watts Technical Service. Watts reserves the right to change or modify product design, construction, specifications, or materials without prior notice and without incurring any obligation to make such changes and modifications on Watts products previously or subsequently sold.



USA: T: (800) 338-2581 • Watts.com
 Canada: T: (888) 208-8927 • Watts.ca
 Latin America: T: (52) 55-4122-0138 • Watts.com