

Engineering Specification

Job Name _____
 Job Location _____
 Engineer _____
 Approval _____

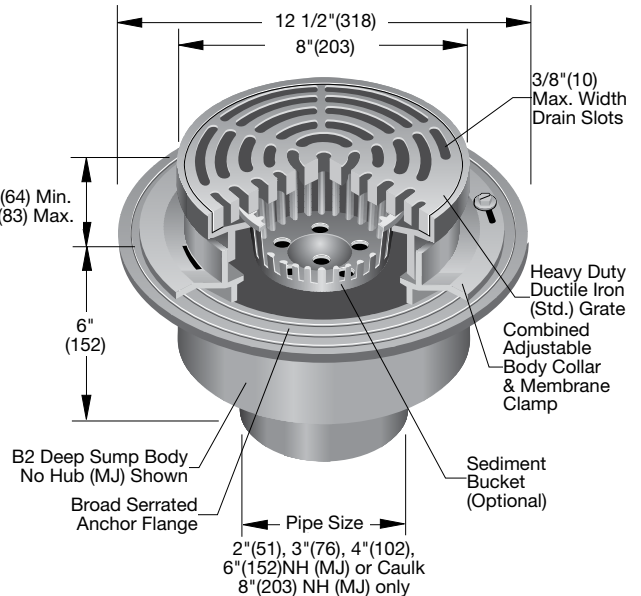
Contractor _____
 Approval _____
 Contractor's P.O. No. _____
 Representative _____

FD-940 Round Top Medium Duty Deep Sump Floor Drain

Specification

Watts FD-940 epoxy coated all cast iron floor drain with deep body with serrated clamping flange, combined body collar and flashing clamp device, adjustable collar and non-tilt 8"(203) diameter epoxy coated ductile iron (standard) tractor grate.

Call customer service if you need assistance with technical details.



Pipe Sizing		
Suffix	Description	
2	2"(51) Pipe Size	<input type="checkbox"/>
3	3"(76) Pipe Size	<input type="checkbox"/>
4	4"(102) Pipe Size	<input type="checkbox"/>
6	6"(152) Pipe Size	<input type="checkbox"/>
8	8"(203) Pipe Size	<input type="checkbox"/>

Outlet Type		
Suffix	Description	
NH	No Hub (MJ)	<input type="checkbox"/>
P	Push On	<input type="checkbox"/>
T	Threaded Outlet	<input type="checkbox"/>
X	Inside Caulk	<input type="checkbox"/>

Strainer		
Suffix	Description	
-1	8"(203) Diameter, Nickel Bronze	<input type="checkbox"/>
-3	8"(203) Diameter, Stainless Steel	<input type="checkbox"/>
-4	8"(203) Diameter, Ductile Iron	<input type="checkbox"/>

Optional Body Material		
Suffix	Description	
-60	PVC Body w/Socket Outlet	<input type="checkbox"/>
-61	ABS Body w/Socket Outlet	<input type="checkbox"/>

Options			
Suffix	Description		
-5	Sediment Bucket	<input type="checkbox"/>	
-10	Secured Top c/w Phillips Screws	<input type="checkbox"/>	
-12	Galvanized Top	<input type="checkbox"/>	
-13	All Galvanized	<input type="checkbox"/>	
-113M	Special Epoxy from 3M Range	<input type="checkbox"/>	
-B	Sump Receiver	<input type="checkbox"/>	
-D	Underdeck Clamp	<input type="checkbox"/>	
-F4-50	4" Round Cast Iron Funnel	<input type="checkbox"/>	
-F4-1	4" Round Nickel Bronze Funnel	<input type="checkbox"/>	
-F6-50	6" Round Cast Iron Funnel	<input type="checkbox"/>	
-F6-1	6" Round Nickel Bronze Funnel	<input type="checkbox"/>	
-G-50	4" x 9" Oval Cast Iron Funnel	<input type="checkbox"/>	
-G-1	4" x 9" Oval Nickel Bronze Funnel	<input type="checkbox"/>	
-H-50	5" x 17" Oval Cast Iron Funnel	<input type="checkbox"/>	
-H-1	5" x 17" Oval Nickel Bronze Funnel	<input type="checkbox"/>	
-Z	Elastomeric Flange	<input type="checkbox"/>	

Suffix	Load Rating	Free Area Sq. In.
-1	*XHD	15
-3	*XHD	15
-4	*XHD	15

NOTICE

*The load classifications are in accordance with the American National Standards ASME A112.21.1M ASME Ratings are as follows:
 XHD - Safe Live Load 7500-10,000 lbs.(3375-4500 kg)
 The above categories are given as a guide only
 Please consult factory.

NOTICE

The information contained herein is not intended to replace the full product installation and safety information available or the experience of a trained product installer. You are required to thoroughly read all installation instructions and product safety information before beginning the installation of this product.

Watts product specifications in U.S. customary units and metric are approximate and are provided for reference only. For precise measurements, please contact Watts Technical Service. Watts reserves the right to change or modify product design, construction, specifications, or materials without prior notice and without incurring any obligation to make such changes and modifications on Watts products previously or subsequently sold.



USA: T: (800) 338-2581 • Watts.com
 Canada: T: (888) 208-8927 • Watts.ca
 Latin America: T: (52) 55-4122-0138 • Watts.com