

Engineering Specification

Job Name _____
 Job Location _____
 Engineer _____
 Approval _____

Contractor _____
 Approval _____
 Contractor's P.O. No. _____
 Representative _____

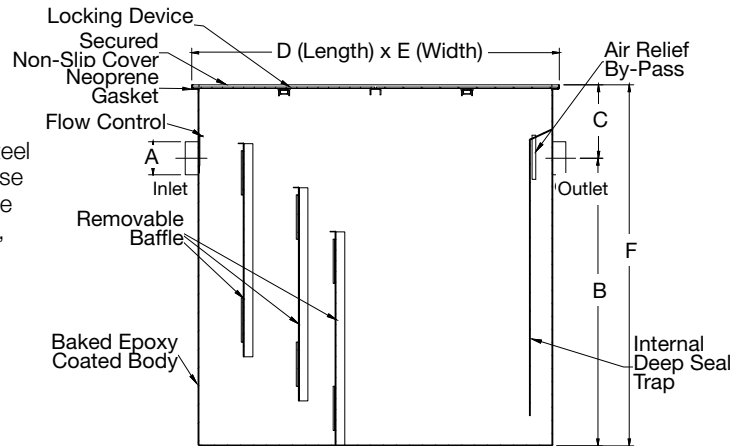
WD Series Grease Interceptor Specification

Watts WD Series epoxy coated inside and outside fabricated steel grease interceptor with flow rating of 100 to 300 gpm and grease capacity of 200 to 600 lbs. Unit includes removable baffles code approved deep seal trap, secured and gasketed non-slip cover, NH (MJ) (standard) inlet and outlet and internal flow control.

Call customer service at 1 (800) 338-2581 if you need assistance with technical details.

Flow Rate			Optional Inlet/Outlet Sizes		
Suffix	Description		Suffix	Description	
210	100 GPM	<input type="checkbox"/>	-2	2"(51) Inlet/Outlet	
215	150 GPM	<input type="checkbox"/>	-3	3"(76) Inlet/Outlet	
220	200 GPM	<input type="checkbox"/>	-4	4"(102) Inlet/Outlet	<input type="checkbox"/>
225	250 GPM	<input type="checkbox"/>	-6	6"(152) Inlet/Outlet	<input type="checkbox"/>
230	300 GPM	<input type="checkbox"/>	*** Threaded Outlet or MEFC/TEFC External Flow Control Not Available		

Options		
Suffix	Description	
-B	Sediment Bucket	
-DI	Dual Inlet	
-E	Electronics	
-F	Flange	
-HDC	Heavy Duty Cover 1,000 lbs.	
-O	Inlet & Outlet (other than standard)	
-SS	Stainless Steel	
-MEFC	MJ External Flow Control	
-TEFC	Threaded External Flow Control	
-X#"	Extension as Required	
-XHDC	Extra Heavy Duty Cover 10,000 lbs.	
-IP	Injection Port	
-ALC	Aluminum Cover	
-FSB	Fish Scale Bucket	



Interceptor-Catalog Number	Grease Capacity lbs.	A	B	C	D	E	F
		Inlet & Outlet	Base to Center	Top to Center	Length	Width	Height
WD-210	200	4"(102)	29"(737)	10"(254)	40"(1016)	28"(711)	39"(991)
WD-215	300	4"(102)	39"(991)	10"(254)	40"(1016)	28"(711)	49"(1245)
WD-220	400	4"(102)	37"(940)	10"(254)	50"(1270)	34"(864)	47"(1194)
WD-225	500	4"(102)	39"(991)	10"(254)	50"(1270)	34"(864)	49"(1245)
WD-230	600	6"(152)	38"(965)	10"(254)	76"(1930)	45"(1143)	48"(1219)

NOTICE

The information contained herein is not intended to replace the full product installation and safety information available or the experience of a trained product installer. You are required to thoroughly read all installation instructions and product safety information before beginning the installation of this product.

Watts product specifications in U.S. customary units and metric are approximate and are provided for reference only. For precise measurements, please contact Watts Technical Service. Watts reserves the right to change or modify product design, construction, specifications, or materials without prior notice and without incurring any obligation to make such changes and modifications on Watts products previously or subsequently sold.



USA: T: (800) 338-2581 • Watts.com
 Canada: T: (888) 208-8927 • Watts.ca
 Latin America: T: (52) 55-4122-0138 • Watts.com