

2-piece, Full Port, Brass Ball Valve (W-FBV-3C-G)

◆ Application:

The Watts W-FBV 2-piece, Full Port, Brass Ball Valve is designed to cut off or get through the media in the pipeline, and also adjust and control the fluid. It's generally used in building services, water treatment, etc.



◆ Features:

1. Compact structure, reliable sealing;
2. Simple structure, convenient maintenance;
3. In the closed state, sealing surface and spherical are not easily to erode by media;
4. Convenient operation, quick opening and closing, easy to maintenance;
5. Unrestricted media flow direction;
6. Small fluid resistance;
7. Pass the FM/UL certification.

◆ Operating Principles:

Relying on the handle to rotate the valve stem, and the stem drives the ball to open and close within the range of 0 ~ 90 °.

◆ Technical Specification:

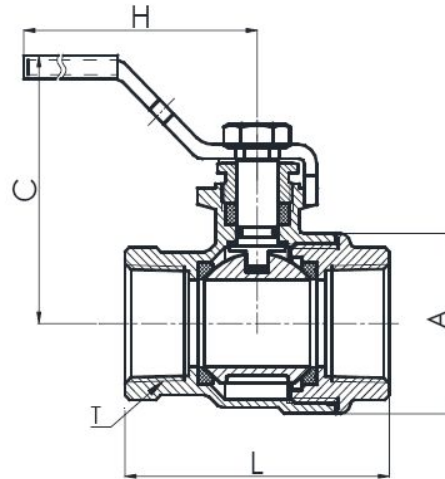
Nominal Diameter:	DN8~DN100
Nominal Pressure:	PN40
Working Temperature:	-40℃~204℃
Fluid Medium:	Water, oil and gas
Test Standard:	GB/T 13927-2008

◆ Material:

Part	Body	Bonnet	Stem	Ball	Hand Wheel	Seat
Material	Brass	Brass	Brass	Brass	Galvanized Carbon Steel	PTFE

◆ Installation Dimensions:

Connection Dimension: GB/T 7307;



Size(DN)	H	C	L	A	T
DN8	86.9	45.9	44.7	28.4	G 1/4
DN10	86.9	46	44.7	28.4	G 3/8
DN15	86.9	45.9	49.8	28.4	G 1/2
DN20	100.8	57.4	59.4	39.6	G 3/4
DN25	108.2	67.1	71.9	46.2	G 1
DN32	108.2	71.3	80.6	57.4	G 1-1/4
DN40	135	80.2	88.4	67.6	G 1-1/2
DN50	153.1	89.4	105.2	85.7	G 2
DN65	186.8	103.5	134.4	107.7	G 2-1/2
DN80	196.6	114.1	153.8	127.8	G 3
DN100	244.83	135.9	188	167.1	G 4

◆ Typical Application:

1. Water plant and water source project;
2. Environmental protection;
3. Municipal facilities;
4. Electric power and utilities;
5. Construction industry.

◆ Installation Instructions:

- (1) The valve's rated parameters should match the equipment's. Make sure that the valve's rated flow satisfies the actual demand;
- (2) The installer must be trained or experienced so as to operate the installation correctly;
- (3) A thorough check after installation is needed to ensure no errors;
- (4) A thorough cleaning before installation is needed (chemical reagent can be applied if it is necessary) to ensure that there is not any rusting or dirt in the pipe. All the filters must be removed before washing to keep the pipe smoothly open;
- (5) When beginning to wash the system, it is suggested to install the valve on a temporary pipe. After finishing system cleaning, move the valve back and install it on the system's pipe;
- (6) This product should not be used when the fluid medium has high viscosity (contains much grease or mineral oil), or under corrosive circumstances;
- (7) Use threaded connector that meets the standard to connect the valve.