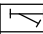
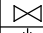
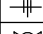


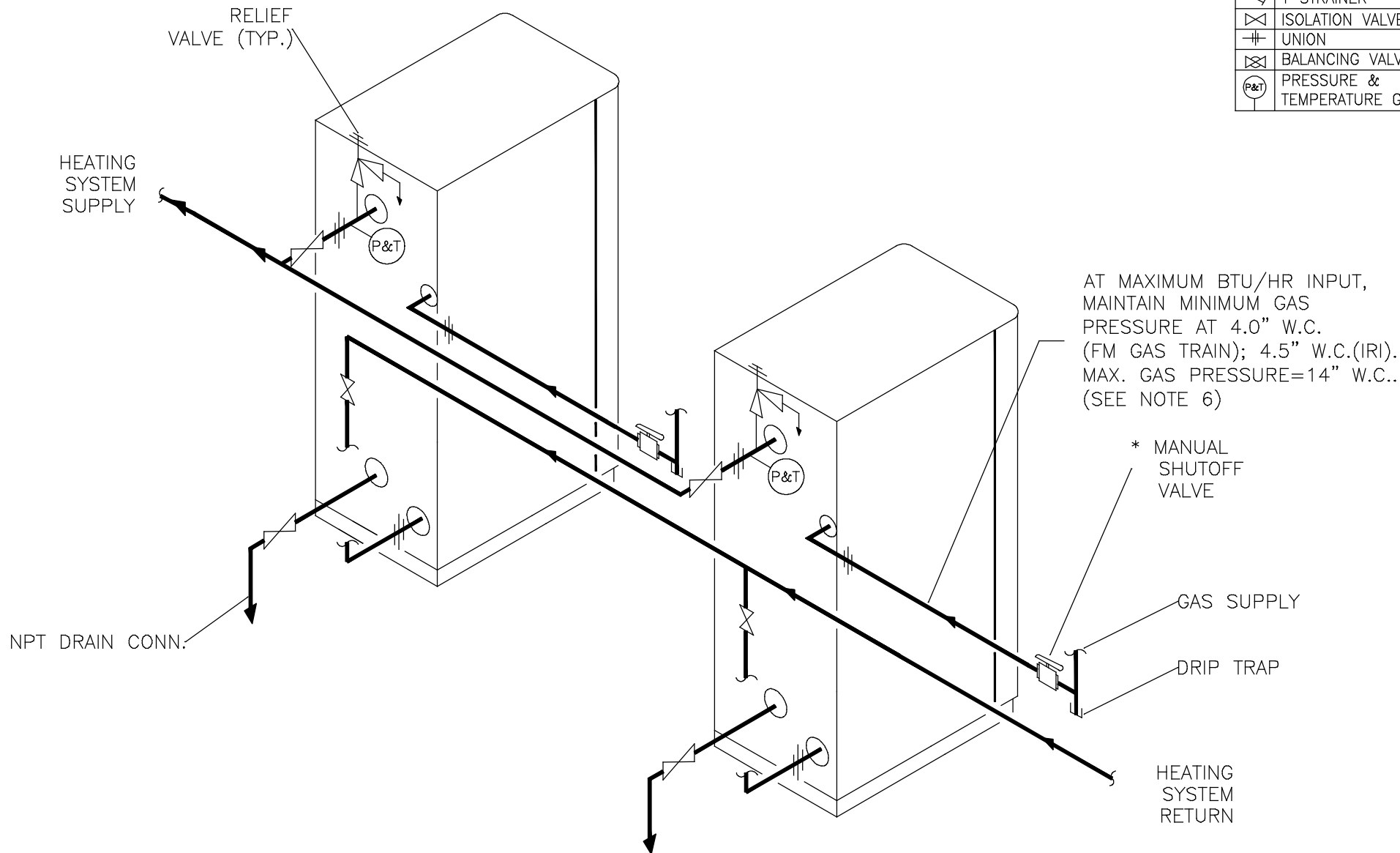


LEGEND

	Y STRAINER
	ISOLATION VALVE
	UNION
	BALANCING VALVE
	PRESSURE & TEMPERATURE GAUGE



NOTES:

- 1) FOR ACTUAL SIZES AND LOCATIONS OF PIPING AND OTHER CONNECTIONS TO THE BOILER, SEE DIMENSIONAL DRAWING.
- 2) SHELL DRAIN VALVE AND CONDENSATE DRAIN TRAP SHOULD BE ARRANGED TO PERMIT THE FLUIDS TO DRAIN FREELY, BY GRAVITY, TO A CONVENIENT FLOOR DRAIN. PIPING OF RELIEF VALVE MUST COMPLY WITH LOCAL CODES
- 3) ALL (*) ITEMS ARE INCLUDED SEPARATELY IN SHIPMENT FROM FACTORY.
- 4) LOCATE WATER INLET AND OUTLET FITTINGS (i.e. UNIONS, ELBOWS, ETC.) A MINIMUM OF 6" FROM BOILER FITTINGS TO PREVENT INTERFERENCE WITH REMOVAL OF BOILER PANELS AND COVERS. ALL PIPING AND ELECTRIC CONNECTIONS (SERVICE SWITCHES, CONDUIT BOXES) SHOULD LIKEWISE BE 6" AWAY FROM SIDE PANELS.
- 5) THIS IS A TYPICAL INSTALLATION DRAWING. LOCAL CODES AND AUTHORITIES SHOULD BE CONSULTED.
- 6) WHEN AVAILABLE GAS PRESSURE IS GREATER THAN 14" W.C., A LOCK-UP STYLE REGULATOR MUST BE INSTALLED DOWNSTREAM OF THE MANUAL SHUTOFF VALVE TO BRING THE GAS PRESSURE DOWN TO 14" W.C. OR LESS.

AERCO INTERNATIONAL, INC.
Blauvelt, NY 10913

BENCHMARK 750 TO 3000 MBH
LOW NOx GAS FIRED BOILERS
MULTIPLE UNIT INSTALLATION

DWN. BY PDR DATE 050411
SCALE NTS
APPD. _____ DATE _____

SD-A-868

REV
A