

Series R1001/R1001N/R1001G

R1001/R1001N/R1001G-202405

Brass Float Valves

Size: DN15-DN100

The Watts R1001/R1001N/R1001G series Float Valves are used in commercial, industrial, and agricultural applications for controlling water flow.

Features

- Heavy duty float valves
- Pipe-threaded for pipe connections and straight-pipe threaded for locknut
- No jam single lever action
- Ball float plastic

Pressure - Temperature

- Nominal Pressure: PN16
- Temperature Range: -20°C~90°C

Material

NO.	Component	Material
1	Ball	Brass
2	Nut	Brass
3	Gasket	NBR
4	Gasket	NBR
5	Valvo Core	Brass
6	Hinge Pin	Brass
7	Hinge	Brass
8	Nut	Brass
9	Ball	PP



Specification

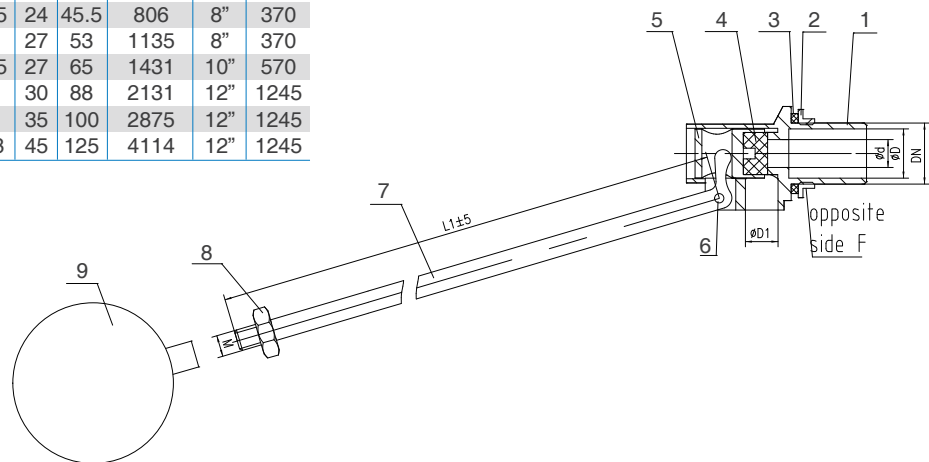
- Connection Standard: ISO 228-1
- Medium: water
- Thread: BÜPT, NPT, G Thread

Approval



Installation Dimensions

Size DN(mm)	L	L1	L2	d	D	D1	F	Weight body+rod(g)	Ball (Size)	PP ball Weight
15	64	M8-210	25	6	16	12	24	194	4.5"	65
20	66	M8-218	27	6	20.5	12	30	217	5"	95
25	68	M8-250	29	8	26.5	12	36.5	286	6"	150
32	121	M10-350	45	15	34.5	24	45.5	806	8"	370
40	131	M12-390	50	17	40	27	53	1135	8"	370
50	131	M12-445	50	17	49.5	27	65	1431	10"	570
60	143	M14-515	50	25	66	30	88	2131	12"	1245
80	152	M14-625	50	35	78	35	100	2875	12"	1245
100	169	M14-780	50	40	103	45	125	4114	12"	1245



Watts reserves the right to change or modify product design, construction, specifications, or materials without prior notice and without incurring any obligation to make such changes and modifications on Watts products previously or subsequently sold.

