

# For Commercial Applications

Job Name \_\_\_\_\_  
 Job Location \_\_\_\_\_  
 Engineer \_\_\_\_\_  
 Approval \_\_\_\_\_  
 Tag \_\_\_\_\_

Contractor \_\_\_\_\_  
 Approval \_\_\_\_\_  
 Contractor's P.O. No. \_\_\_\_\_  
 Representative \_\_\_\_\_

## CO-200-S Floor Cleanout with Square Top Specification

Watts CO-200-S epoxy coated cast iron floor cleanout with 5-1/8"(130) square adjustable nickel bronze (standard) top, and no hub (MJ) connection.

Pipe Sizing (Select One)	
Suffix	Description
2	2"(51) Pipe Size <input type="checkbox"/>
3	3"(76) Pipe Size <input type="checkbox"/>
4	4"(102) Pipe Size <input type="checkbox"/>

Cover (Select One)	
Suffix	Description
S-1	Nickel Bronze <input type="checkbox"/>
S-3	Stainless Steel <input type="checkbox"/>

Outlet Type (Select One)	
Suffix	Description
NH	No Hub (MJ) <input type="checkbox"/>
P	Push On <input type="checkbox"/>

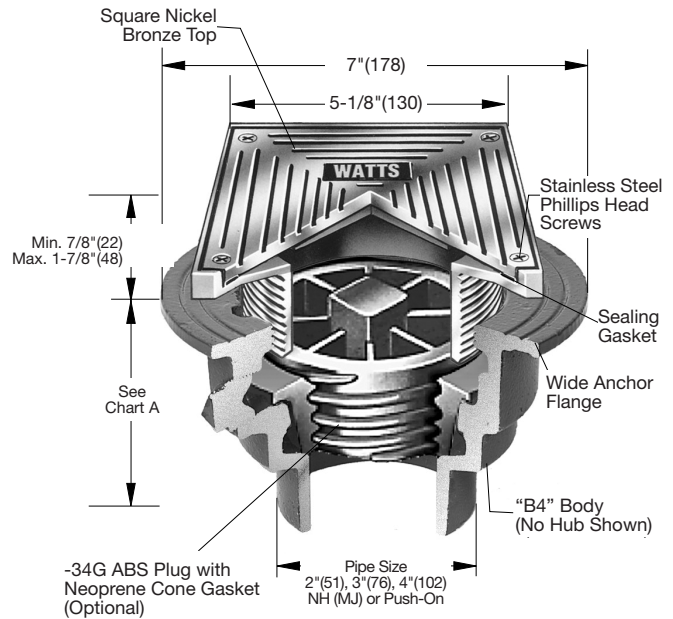
Options (Select One)	
Suffix	Description
-6	Vandal Proof <input type="checkbox"/>
-13	Galvanized Body <input type="checkbox"/>
-34G	Gas Tight ABS Expansion Plug <input type="checkbox"/>
-113M	Special Epoxy from 3M Range <input type="checkbox"/>

Optional Body Material (NH Only)	
Suffix	Description
-60	PVC Body w/Socket Outlet <input type="checkbox"/>
-61	ABS Body w/Socket Outlet <input type="checkbox"/>

Suffix	Load
	Rating
S-1	*MD
S-3	*MD

Chart A

Pipe Size	Std.	P	T	60/61
	No Hub	Push On	Female Thread	PVC/ABS
2"(51)	3"(76)	4"(102)	4-1/4"(108)	4"(102)
3"(76)	3"(76)	4"(102)	4-1/4"(108)	3-3/4"(95)
4"(102)	3"(76)	4"(102)	4-1/4"(108)	3-3/4"(95)



### NOTICE

The load classifications are in accordance with the American National Standards A112.21.1M ASME Ratings are as follows:  
 MD - Safe Live Load 2000-4999 lbs. (900-2250 kg)  
 These categories are given as a guide only.  
 Please consult factory.

### NOTICE

The information contained herein is not intended to replace the full product installation and safety information available or the experience of a trained product installer. You are required to thoroughly read all installation instructions and product safety information before beginning the installation of this product.

Watts product specifications in U.S. customary units and metric are approximate and are provided for reference only. For precise measurements, please contact Watts Technical Service. Watts reserves the right to change or modify product design, construction, specifications, or materials without prior notice and without incurring any obligation to make such changes and modifications on Watts products previously or subsequently sold.



**USA:** T: (800) 338-2581 • F: (828) 248-3929 • Watts.com  
**Canada:** T: (888) 208-8927 • F: (888) 479-2887 • Watts.ca  
**Latin America:** T: (52) 55-4122-0138 • Watts.com