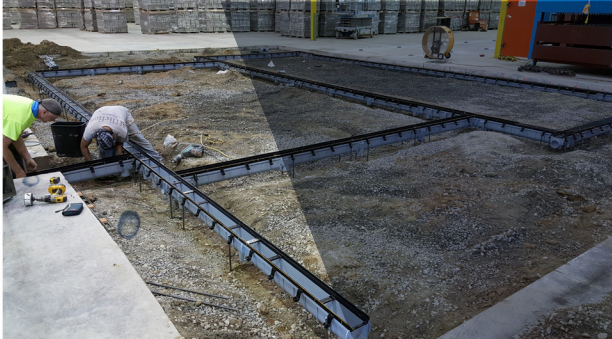


# Dead Level®

Pre-sloped Trench Drain System



# Dead Level® Pre-sloped Trench Drain

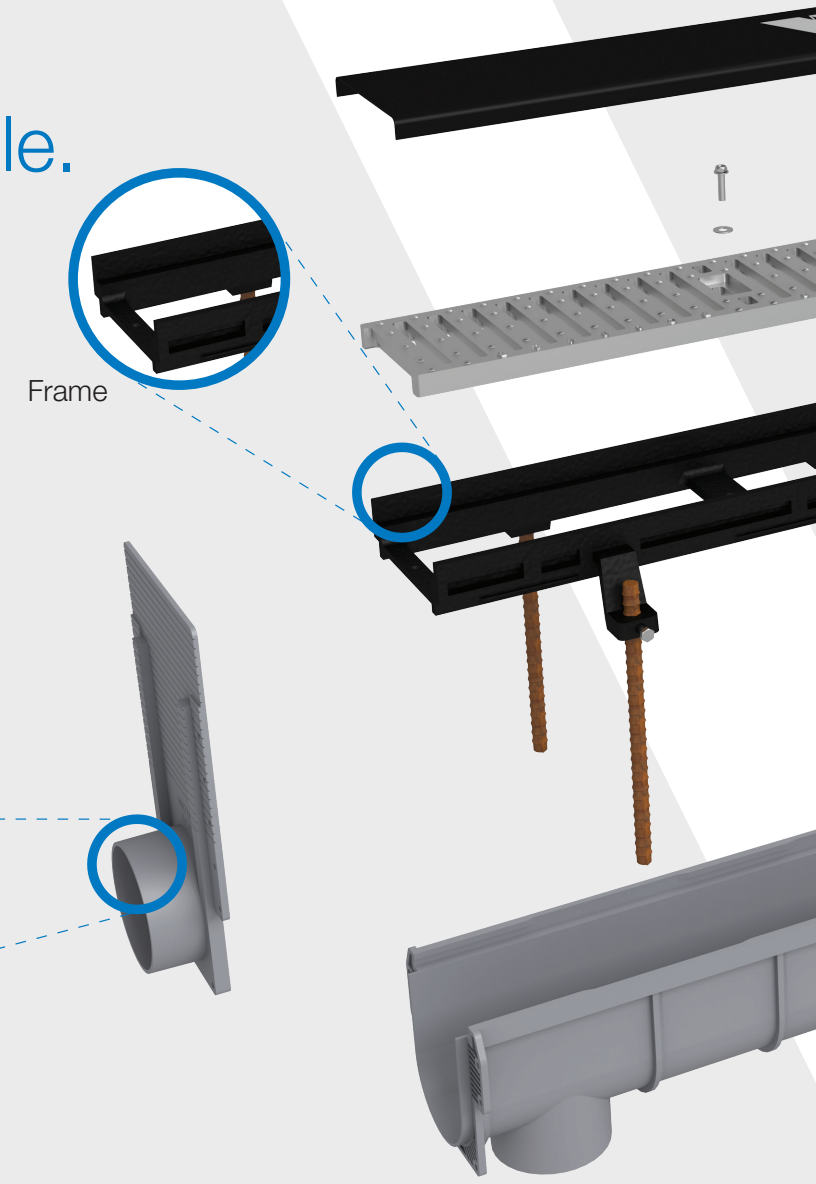
Simple. Straight. Stable.

The Dead Level® Trench Drain is uniquely designed to install and perform like no other trench drain system. Its pre-sloped, original design, innovative features, and durable construction combine to create a drain that delivers:

- Simple, fast installations, saving time and costs
- Straight, level runs
- Stable, long-term, warranted performance

Frame

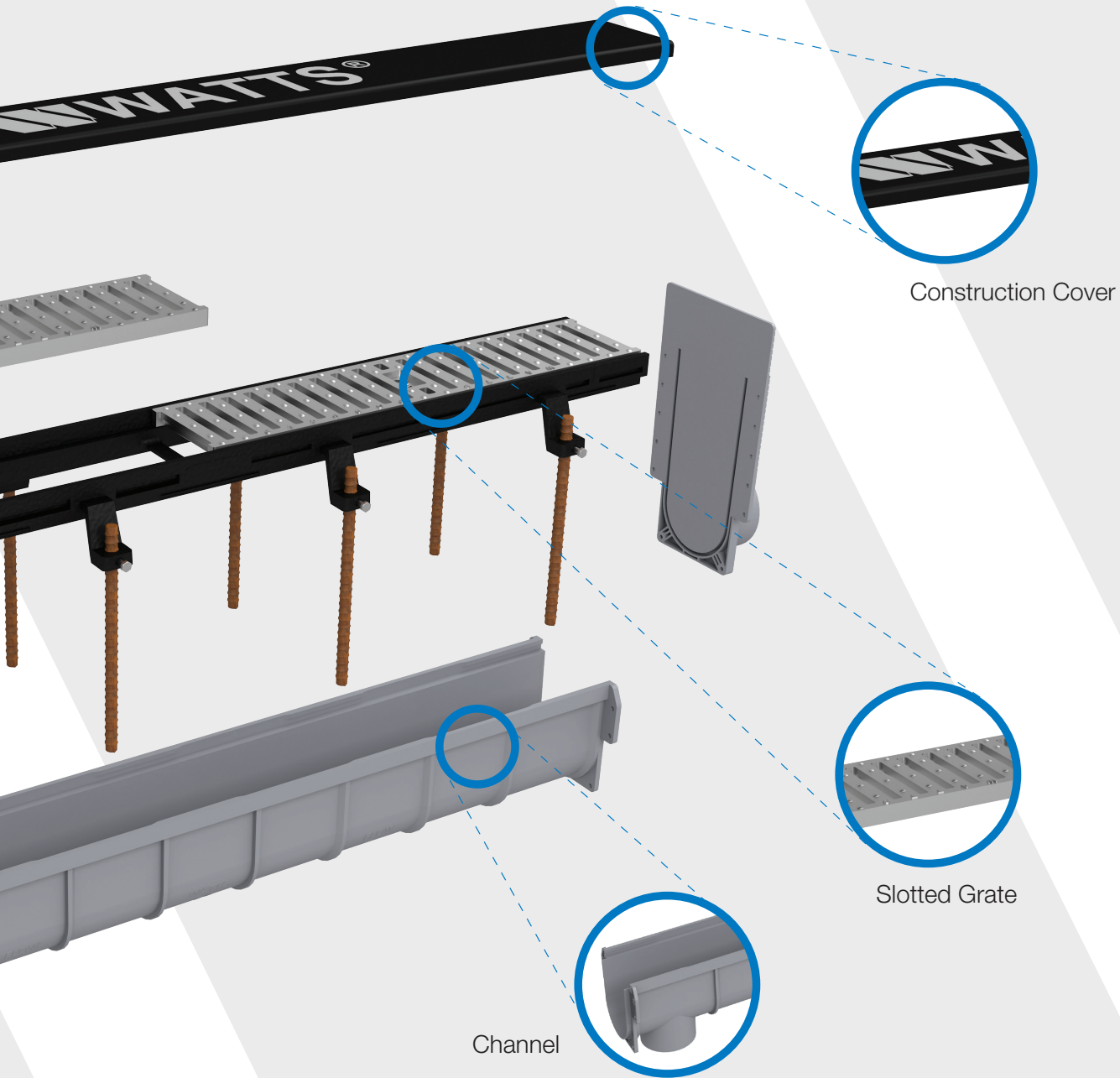
End Cap



**Structural Stability** — Patented frame-anchored design ensures that drains go in straight and stay straight. Channels lock longitudinally outside the structural frame and cannot pinch, twist, or float with the concrete pour.

**Construction Cover** — Protect grates from construction traffic.



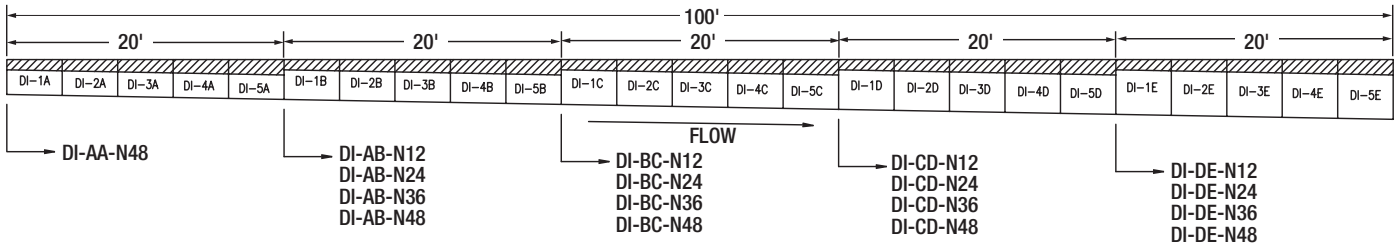


**Flexible Sizing** — Clean installations can be made in 1-foot increments, without the need for field cutting or modification, saving time and money.

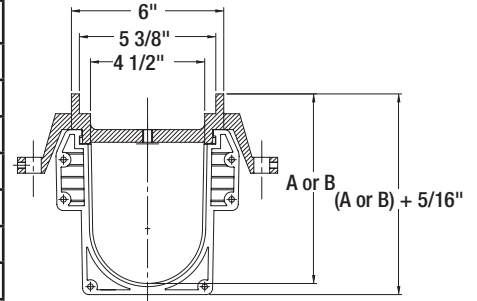
**Durable Construction** — Structural stability eliminates perimeter cracking, ensuring reliable long-term performance, protected by a Watts warranty.



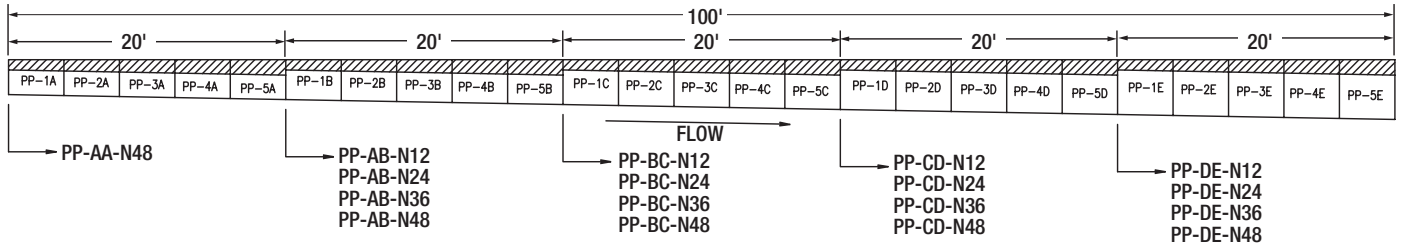
# Dead Level D - 6" Wide w/Ductile Iron Frame



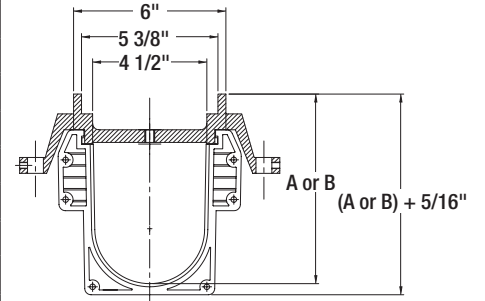
Model	Configuration	Length	Weight (lbs.)	Dim. A	Dim. B
DI-AA-N48	Neutral	48" (1219)	31	5-5/8" (143)	5-5/8" (143)
DI-1A	Sloped	48" (1219)	31	5-5/8" (143)	5-15/16" (151)
DI-2A	Sloped	48" (1219)	38	5-15/16" (151)	6-1/4" (159)
DI-3A	Sloped	48" (1219)	40	6-1/4" (159)	6-9/16" (167)
DI-4A	Sloped	48" (1219)	43	6-9/16" (167)	6-7/8" (175)
DI-5A	Sloped	48" (1219)	45	6-7/8" (175)	7-3/16" (183)
DI-AB-N12	Neutral	12" (305)	9	7-3/16" (183)	7-3/16" (183)
DI-AB-N24	Neutral	24" (610)	18	7-3/16" (183)	7-3/16" (183)
DI-AB-N36	Neutral	36" (914)	26	7-3/16" (183)	7-3/16" (183)
DI-AB-N48	Neutral	48" (1219)	32	7-3/16" (183)	7-3/16" (183)
DI-1B	Sloped	48" (1219)	32	7-3/16" (183)	7-1/2" (191)
DI-2B	Sloped	48" (1219)	39	7-1/2" (191)	7-13/16" (198)
DI-3B	Sloped	48" (1219)	41	7-13/16" (198)	8-1/8" (206)
DI-4B	Sloped	48" (1219)	44	8-1/8" (206)	8-7/16" (214)
DI-5B	Sloped	48" (1219)	46	8-7/16" (214)	8-3/4" (222)
DI-BC-N12	Neutral	12" (305)	9	8-3/4" (222)	8-3/4" (222)
DI-BC-N24	Neutral	24" (610)	18	8-3/4" (222)	8-3/4" (222)
DI-BC-N36	Neutral	36" (914)	26	8-3/4" (222)	8-3/4" (222)
DI-BC-N48	Neutral	48" (1219)	32	8-3/4" (222)	8-3/4" (222)
DI-1C	Sloped	48" (1219)	33	8-3/4" (222)	9-1/16" (230)
DI-2C	Sloped	48" (1219)	40	9-1/16" (230)	9-3/8" (238)
DI-3C	Sloped	48" (1219)	42	9-3/8" (238)	9-11/16" (246)
DI-4C	Sloped	48" (1219)	45	9-11/16" (246)	10" (254)
DI-5C	Sloped	48" (1219)	47	10" (254)	10-5/16" (262)
DI-CD-N12	Neutral	12" (305)	9	10-5/16" (262)	10-5/16" (262)
DI-CD-N24	Neutral	24" (610)	18	10-5/16" (262)	10-5/16" (262)
DI-CD-N36	Neutral	36" (914)	26	10-5/16" (262)	10-5/16" (262)
DI-CD-N48	Neutral	48" (1219)	32	10-5/16" (262)	10-5/16" (262)
DI-1D	Sloped	48" (1219)	34	10-5/16" (262)	10-5/8" (270)
DI-2D	Sloped	48" (1219)	41	10-5/8" (270)	10-15/16" (278)
DI-3D	Sloped	48" (1219)	43	10-15/16" (278)	11-1/4" (286)
DI-4D	Sloped	48" (1219)	46	11-1/4" (286)	11-9/16" (294)
DI-5D	Sloped	48" (1219)	48	11-9/16" (294)	11-7/8" (302)
DI-DE-N12	Neutral	12" (305)	10	11-7/8" (302)	11-7/8" (302)
DI-DE-N24	Neutral	24" (610)	19	11-7/8" (302)	11-7/8" (302)
DI-DE-N36	Neutral	36" (914)	27	11-7/8" (302)	11-7/8" (302)
DI-DE-N48	Neutral	48" (1219)	33	11-7/8" (302)	11-7/8" (302)
DI-1E	Sloped	48" (1219)	35	11-7/8" (302)	12-3/16" (310)
DI-2E	Sloped	48" (1219)	42	12-3/16" (310)	12-1/2" (318)
DI-3E	Sloped	48" (1219)	44	12-1/2" (318)	12-13/16" (325)
DI-4E	Sloped	48" (1219)	47	12-13/16" (325)	13-1/8" (333)
DI-5E	Sloped	48" (1219)	49	13-1/8" (333)	13-7/16" (341)



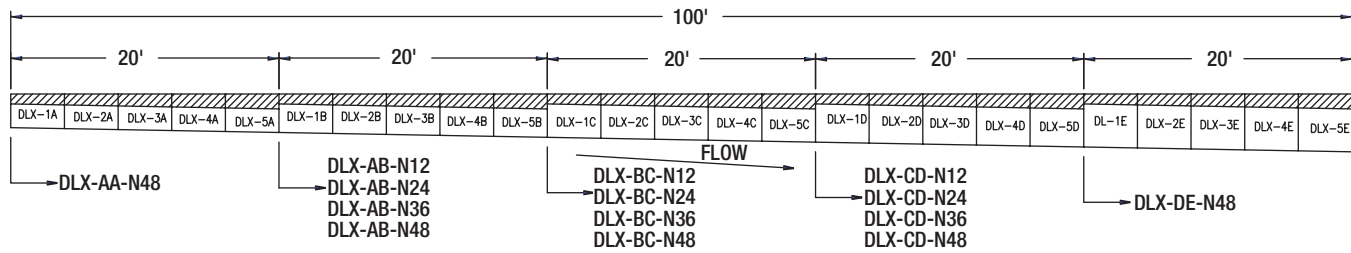
# Dead Level P - 6" Wide w/Polypropylene Frame



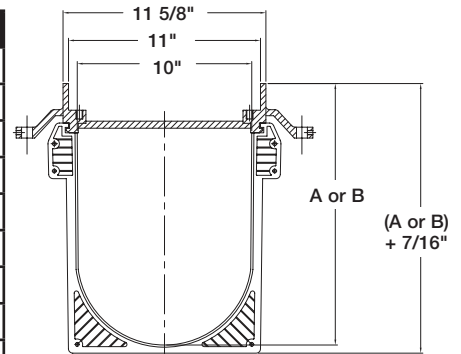
Part #	Configuration	Length	Weight (lbs.)	Dim. A	Dim. B
PP-AA-N48	Neutral	48" (1219)	9	5-5/8" (143)	5-5/8" (143)
PP-1A	Sloped	48" (1219)	9	5-5/8" (143)	5-15/16" (151)
PP-2A	Sloped	48" (1219)	9	5-15/16" (151)	6-1/4" (159)
PP-3A	Sloped	48" (1219)	9	6-1/4" (159)	6-9/16" (167)
PP-4A	Sloped	48" (1219)	10	6-9/16" (167)	6-7/8" (175)
PP-5A	Sloped	48" (1219)	10	6-7/8" (175)	7-3/16" (183)
PP-AB-N12	Neutral	12" (305)	3	7-3/16" (183)	7-3/16" (183)
PP-AB-N24	Neutral	24" (610)	6	7-3/16" (183)	7-3/16" (183)
PP-AB-N36	Neutral	36" (914)	9	7-3/16" (183)	7-3/16" (183)
PP-AB-N48	Neutral	48" (1219)	10	7-3/16" (183)	7-3/16" (183)
PP-1B	Sloped	48" (1219)	10	7-3/16" (183)	7-1/2" (191)
PP-2B	Sloped	48" (1219)	10	7-1/2" (191)	7-13/16" (198)
PP-3B	Sloped	48" (1219)	10	7-13/16" (198)	8-1/8" (206)
PP-4B	Sloped	48" (1219)	11	8-1/8" (206)	8-7/16" (214)
PP-5B	Sloped	48" (1219)	11	8-7/16" (214)	8-3/4" (222)
PP-BC-N12	Neutral	12" (305)	3	8-3/4" (222)	8-3/4" (222)
PP-BC-N24	Neutral	24" (610)	6	8-3/4" (222)	8-3/4" (222)
PP-BC-N36	Neutral	36" (914)	9	8-3/4" (222)	8-3/4" (222)
PP-BC-N48	Neutral	48" (1219)	10	8-3/4" (222)	8-3/4" (222)
PP-1C	Sloped	48" (1219)	11	8-3/4" (222)	9-1/16" (230)
PP-2C	Sloped	48" (1219)	11	9-1/16" (230)	9-3/8" (238)
PP-3C	Sloped	48" (1219)	11	9-3/8" (238)	9-11/16" (246)
PP-4C	Sloped	48" (1219)	12	9-11/16" (246)	10" (254)
PP-5C	Sloped	48" (1219)	12	10" (254)	10-5/16" (262)
PP-CD-N12	Neutral	12" (305)	3	10-5/16" (262)	10-5/16" (262)
PP-CD-N24	Neutral	24" (610)	6	10-5/16" (262)	10-5/16" (262)
PP-CD-N36	Neutral	36" (914)	9	10-5/16" (262)	10-5/16" (262)
PP-CD-N48	Neutral	48" (1219)	10	10-5/16" (262)	10-5/16" (262)
PP-1D	Sloped	48" (1219)	12	10-5/16" (262)	10-5/8" (270)
PP-2D	Sloped	48" (1219)	12	10-5/8" (270)	10-15/16" (278)
PP-3D	Sloped	48" (1219)	12	10-15/16" (278)	11-1/4" (286)
PP-4D	Sloped	48" (1219)	13	11-1/4" (286)	11-9/16" (294)
PP-5D	Sloped	48" (1219)	13	11-9/16" (294)	11-7/8" (302)
PP-DE-N12	Neutral	12" (305)	4	11-7/8" (302)	11-7/8" (302)
PP-DE-N24	Neutral	24" (610)	7	11-7/8" (302)	11-7/8" (302)
PP-DE-N36	Neutral	36" (914)	10	11-7/8" (302)	11-7/8" (302)
PP-DE-N48	Neutral	48" (1219)	11	11-7/8" (302)	11-7/8" (302)
PP-1E	Sloped	48" (1219)	13	11-7/8" (302)	12-3/16" (310)
PP-2E	Sloped	48" (1219)	13	12-3/16" (310)	12-1/2" (318)
PP-3E	Sloped	48" (1219)	13	12-1/2" (318)	12-13/16" (325)
PP-4E	Sloped	48" (1219)	14	12-13/16" (325)	13-1/8" (333)
PP-5E	Sloped	48" (1219)	14	13-1/8" (333)	13-7/16" (341)



# Dead Level DX - 12" Wide w/Ductile Iron Frame









Part #	Configuration	Length	Weight (lbs)	Dim. A	Dim. B
DLX-AA-N48	Neutral	48" (1219)	37	8-3/4"(222)	8-3/4"(222)
DLX-1A	Sloped	48" (1219)	39	8-3/4"(222)	9-1/16"(230)
DLX-2A	Sloped	48" (1219)	44	9-1/16"(230)	9-3/8"(238)
DLX-3A	Sloped	48" (1219)	47	9-3/8"(238)	9-11/16"(246)
DLX-4A	Sloped	48" (1219)	49	9-11/16"(246)	10"(254)
DLX-5A	Sloped	48" (1219)	54	10"(254)	10-5/16"(262)
DLX-AB-N12	Neutral	12" (305)	10	10-5/16"(262)	10-5/16"(262)
DLX-AB-N24	Neutral	24" (610)	19	10-5/16"(262)	10-5/16"(262)
DLX-AB-N36	Neutral	36" (914)	28	10-5/16"(262)	10-5/16"(262)
DLX-AB-N48	Neutral	48" (1219)	37	10-5/16"(262)	10-5/16"(262)
DLX-1B	Sloped	48" (1219)	40	10-5/16"(262)	10-5/8"(270)
DLX-2B	Sloped	48" (1219)	45	10-5/8"(270)	10-15/16"(278)
DLX-3B	Sloped	48" (1219)	48	10-15/16"(278)	11-1/4"(286)
DLX-4B	Sloped	48" (1219)	50	11-1/4"(286)	11-9/16"(294)
DLX-5B	Sloped	48" (1219)	55	11-9/16"(294)	11-7/8"(302)
DLX-BC-N12	Neutral	12" (305)	11	11-7/8"(302)	11-7/8"(302)
DLX-BC-N24	Neutral	24" (610)	21	11-7/8"(302)	11-7/8"(302)
DLX-BC-N36	Neutral	36" (914)	31	11-7/8"(302)	11-7/8"(302)
DLX-BC-N48	Neutral	48" (1219)	45	11-7/8"(302)	11-7/8"(302)
DLX-1C	Sloped	48" (1219)	41	11-7/8"(302)	12-3/16"(310)
DLX-2C	Sloped	48" (1219)	46	12-3/16"(310)	12-1/2"(318)
DLX-3C	Sloped	48" (1219)	49	12-1/2"(318)	12-13/16"(325)
DLX-4C	Sloped	48" (1219)	51	12-13/16"(325)	13-1/8"(333)
DLX-5C	Sloped	48" (1219)	56	13-1/8"(333)	13-7/16"(341)
DLX-CD-N12	Neutral	12" (305)	11	13-7/16"(341)	13-7/16"(341)
DLX-CD-N24	Neutral	24" (610)	21	13-7/16"(341)	13-7/16"(341)
DLX-CD-N36	Neutral	36" (914)	31	13-7/16"(341)	13-7/16"(341)
DLX-CD-N48	Neutral	48" (1219)	45	13-7/16"(341)	13-7/16"(341)
DLX-1D	Sloped	48" (1219)	42	13-7/16"(341)	13-3/4"(349)
DLX-2D	Sloped	48" (1219)	47	13-3/4"(349)	14-1/16"(357)
DLX-3D	Sloped	48" (1219)	50	14-1/16"(357)	14-3/8"(365)
DLX-4D	Sloped	48" (1219)	52	14-3/8"(365)	14-11/16"(373)
DLX-5D	Sloped	48" (1219)	57	14-11/16"(373)	15"(381)
DLX-DE-N48	Neutral	48" (1219)	47	15"(381)	15"(381)
DLX-1E	Sloped	48" (1219)	43	15"(381)	15-5/16"(389)
DLX-2E	Sloped	48" (1219)	48	15-5/16"(389)	15-5/8"(397)
DLX-3E	Sloped	48" (1219)	51	15-5/8"(397)	15-15/16"(405)
DLX-4E	Sloped	48" (1219)	53	15-15/16"(405)	16-1/4"(413)
DLX-5E	Sloped	48" (1219)	58	16-1/4"(413)	16-9/16"(420)



# Load Classifications

## DIN 19580 / EN 1433 Load Classifications

Load Class	Description	Load Class	Description
	<b>A</b> Pedestrian areas, pavements, bicycle lanes, square, yard improvements, individual construction		<b>D</b> Fuel filling stations, car washes, industrial areas, transport terminals, roads and automobile enterprises.
	<b>B</b> Individual construction, private garages, gardens and parks, artificial landscape, private car parks.		<b>E</b> Airports, highways, industrial companies, ports, fuel filling stations, transport terminals and storage terminals.
	<b>C</b> Pedestrian areas, waysides, parking areas, garages, car service stations, territory improvements.		<b>F</b> Airport runways, industrial areas, transport terminals, structures with extreme loads on the road surface.

### Dead Level P - Polypropylene Frame 6" Wide

Grating	Grating	Std.	DIN	ANSI	H-20	ADA	Heel	Open
Suffix	Desc.	Length	Class	Class	Compliant	Compliant	Proof	Area
BK	Stainless Steel Brickslot	48"	D	HD	N	Y	N	N/A
BR	Decorative Bronze	24"	B	MD	N	Y	Y	30%
DI	Ductile Iron	24"	C*	HD*	N	N	N	30%
DI-ADA	Ductile Iron ADA	24"	C*	HD*	N	Y	Y	25%
GDI	Galvanized Ductile Iron	24"	C*	HD*	N	N	N	30%
PP	Polypropylene	24"	C	LD	N	Y	Y	15%
GP	Galvanized Perforated	48"	A	LD	N	Y	Y	15%
GS	Galvanized Slotted	48"	A	LD	N	Y	N	12%
RGP	Reinforced Galvanized Perforated	48"	C*	HD*	N	Y	Y	15%
RGS	Reinforced Galvanized Slotted	48"	C*	HD*	N	Y	Y	30%
SP	Stainless Steel Perforated	48"	A	LD	N	Y	Y	15%
SS	Stainless Steel Slotted	48"	A	LD	N	Y	Y	12%
RSP	Reinforced Stainless Steel Perforated	48"	C*	HD*	N	Y	Y	15%
RSS	Reinforced Stainless Steel Slotted	48"	C*	HD*	N	Y	Y	30%
SCI	Solid Cast Iron	24"	C*	HD*	N	Y	Y	0%

\*Load Class E / ANSI Class XHD with Frame Guards

### Dead Level D - Ductile Iron Frame 6" Wide

BK	Stainless Steel Brickslot	48"	D	HD	Y			
BR	Decorative Bronze	24"	B	MD	N	Y	Y	30%
DI	Ductile Iron	24"	F	SD	Y	N	N	30%
DI-ADA	Ductile Iron ADA	24"	F	SD	Y	Y	Y	25%
GDI	Galvanized Ductile Iron	24"	F	SD	Y	N	N	30%
PP	Polypropylene	24"	C	LD	N	Y	Y	15%
GP	Galvanized Perforated	48"	A	LD	N	Y	Y	15%
GS	Galvanized Slotted	48"	A	LD	N	Y	N	12%
RGP	Reinforced Galvanized Perforated	48"	E	XHD	Y	Y	Y	15%
RGS	Reinforced Galvanized Slotted	48"	E	XHD	Y	Y	Y	30%
SP	Stainless Steel Perforated	48"	A	LD	N	Y	Y	15%
SS	Stainless Steel Slotted	48"	A	LD	N	Y	N	12%
RSP	Reinforced Stainless Steel Perforated	48"	E	SD	Y	Y	Y	15%
RSS	Reinforced Stainless Steel Slotted	48"	E	SD	Y	Y	Y	30%
SCI	Solid Cast Iron	24"	F	SD	Y	Y	Y	0%

### Dead Level DX - Ductile Iron Frame 12" Wide

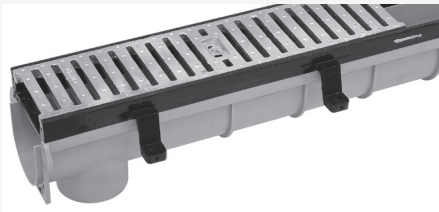
DI	Ductile Iron	24"	F	SD	Y	N	N	40%
DI-ADA	Ductile Iron ADA	24"	F	SD	Y	Y	Y	30%
GDI	Galvanized Ductile Iron	24"	F	SD	Y	N	N	40%
RGP	Reinforced Galvanized Perforated	24"	E	XHD	Y	Y	Y	15%
RGS	Reinforced Galvanized Slotted	24"	E	XHD	Y	Y	Y	30%
RSP	Reinforced Stainless Steel Perforated	24"	E	SD	Y	Y	Y	15%
RSS	Reinforced Stainless Steel Slotted	24"	E	SD	Y	Y	Y	30%
SCI	Solid Cast Iron	24"	F	SD	Y	Y	Y	0%

# Grating



## Ductile Iron

8187063 DLG-DI12 12"  
8187307 DLG-DI 24"



## Galvanized Steel Slotted

8187346 DLG-GS12 12" 8187309 DLG-GS 48"  
8187366 DLG-GS24 24"  
8188706 DLG-GS36 36"



## Galvanized Steel Perforated

8187347 DLG-GP12 12" 8187312 DLG-GP 48"  
8187358 DLG-GP24 24"  
8188705 DLG-GP36 36"



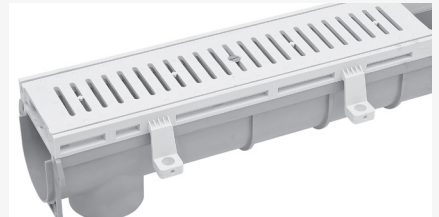
## Stainless Steel Slotted

8187348 DLG-SS12 12" 8187308 DLG-SS 48"  
8187368 DLG-SS24 24"  
8188708 DLG-SS36 36"



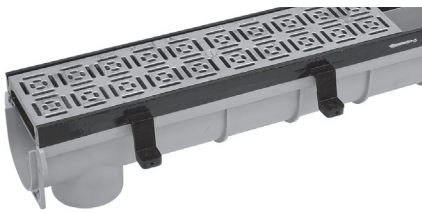
## Stainless Steel Perforated

8187349 DLG-SP12 12" 8189435 DLG-SP40 40"  
8187369 DLG-SP24 24"  
8188707 DLG-SP36 36"



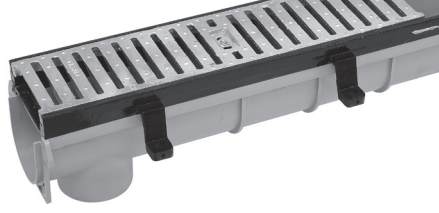
## Polypropylene Composite

8187370 DLG-PP12 12"  
8187030 DLG-PP 24"



## Decorative Bronze

8187425 DLG-BR 24"



## Galvanized Ductile Iron

8187989 DLG-GDI12 12"



## Ductile Iron ADA

8187611 DLG-DI12-ADA 12"  
8187430 DLG-DI-ADA 24"



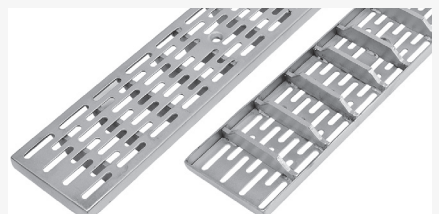
## Solid Cast Iron

8185967 DLG-SCI 24"



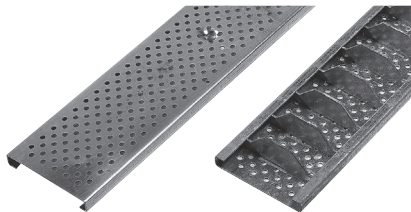
## Stainless Steel Brickslot

8189419 DLG-BK12 12"  
8189003 DLG-BK24 24"  
8189004 DLG-BK 48"



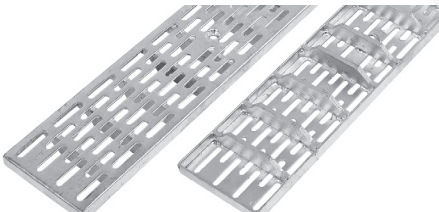
## Reinforced Galvanized Steel Slotted

8187350 DLG-RGS12 12" 8188720 DLG-RGS36 36"  
8187367 DLG-RGS24 24" 8187314 DLG-RGS 48"



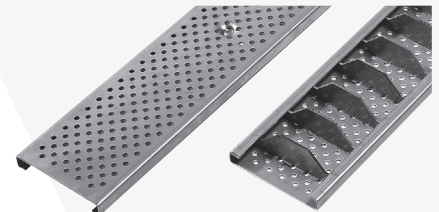
## Reinforced Galvanized Steel Perforated

8187351 DLG-RGP12 12" 8188722 DLG-RGP36 36"  
8187406 DLG-RGP24 24" 8187316 DLG-RGP 48"



## Reinforced Stainless Steel Slotted

8187352 DLG-RSS12 12" 8188721 DLG-RSS36 36"  
8187377 DLG-RSS24 24" 8187315 DLG-RSS 48"



## Reinforced Stainless Steel Perforated

8187353 DLG-RSP12 12" 8188723 DLG-RSP36 36"  
8187382 DLG-RSP24 24" 8187317 DLG-RSP 48"



# 6" Wide Accessories & Catch Basins

## Construction Covers (Supplied w/System)

Model	Material	Length
FG-CC	Black PVC	48"



## End Caps (Supplied w/System)

Model	Type	Cutout
EC-F	Female (Bottom of Run)	4" No Hub
EC-M	Male (Top of Run)	4" No Hub



## Frame Connector (Supplied w/System)

Model	Type
F-L	Galvanized Steel



## Grate Lockdowns (Supplied w/System)

Model	Type	Use With Grates
DL-H4	Hex Head Plated Steel	Ductile Iron
DL-H5	Countersunk Plated Steel	Galvanized Steel, Polypropylene
DL-H6	Countersunk Stainless Steel	Stainless Steel



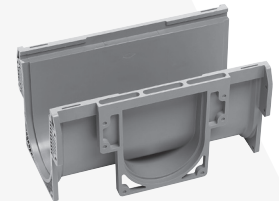
## Channel Adaptor (Supplied w/System when Required)

Model	Type
CA-M	Male (Bottom of Run)



## Corner/Tee Sections (Supplied w/System when Required)

Model	Placement	Weight (lbs.)
T-AA	Upstream of DI/PP-1A	2
T-AB	Between DI/PP-5A & DI/PP-1B	2
T-BC	Between DI/PP-5B & DI/PP-1C	2



## Frame Guards (Optional)

Model	Material	Length	Qty. Per 4'	Weight (lbs.)
FG-GV	Galvanized Steel	48"	2	2
FG-SS	Stainless Steel	48"	2	2



## Catch Basins (Optional)

Model	Width	Length	Depth	Cutouts	Grating	Weight (lbs.)
CB-624	6"	24"	24"	4" & 6" No Hub	Any	19
CB-624T (w/Trash Basket)	6"	24"	24"	4" & 6" No Hub	Any	25
CB-2424	24"	24"	24"	4" & 6" No Hub	DI or SS	27
CB-2424T (w/Trash Basket)	24"	24"	24"	4" & 6" No Hub	DI or SS	37



# 12" Wide Accessories & Catch Basins

## Construction Covers (Supplied w/System)

Model	Material	Length
FGX-CC	Black PVC	48"

## End Caps (Supplied w/System)

Model	Type	Cutout
ECX-F	Female (Bottom of Run)	6" No Hub
ECX-M	Male (Top of Run)	6" No Hub

## Frame Connector (Supplied w/System)

Model	Type
FX-L	Galvanized Steel

## Grate Lockdowns (Supplied w/System)

Model	Type	Use With Grates
DL-H8	Hex Head Plated Steel	Ductile Iron
DL-H9	Countersunk Plated Steel	Galvanized Steel
DL-H10	Countersunk Stainless Steel	Stainless Steel

## Channel Adaptor (Supplied w/System when Required)

Model	Type
CAX-M	Male (Bottom of Run)

## Corner/Tee Sections (Supplied w/System when Required)

Model	Placement	Weight (lbs.)
TX-AB	Between CX-A & CX-B	2
TX-BC	Between CX-B & CX-C	2
TX-CD	Between CX-C & CX-D	2

## Frame Guards (Optional)

Model	Material	Length	Qty. Per 4'	Weight (lbs.)
FGX-GV	Galvanized Steel	48"	2	2
FGX-SS	Stainless Steel	48"	2	2

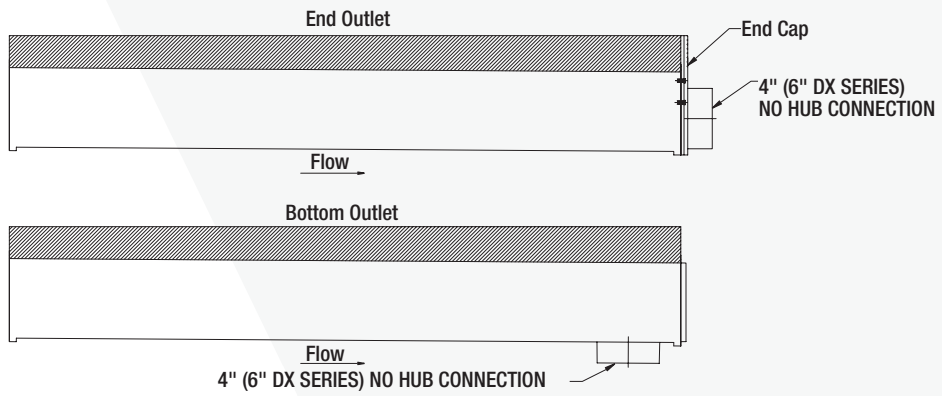
## Catch Basins (Optional)

Model	Width	Length	Depth	Cutouts	Grating	Weight (lbs.)
CB-2424	24"	24"	24"	4" & 6" No Hub	DI or SS	27
CB-2424T (w/Trash Basket)	24"	24"	24"	4" & 6" No Hub	DI or SS	37

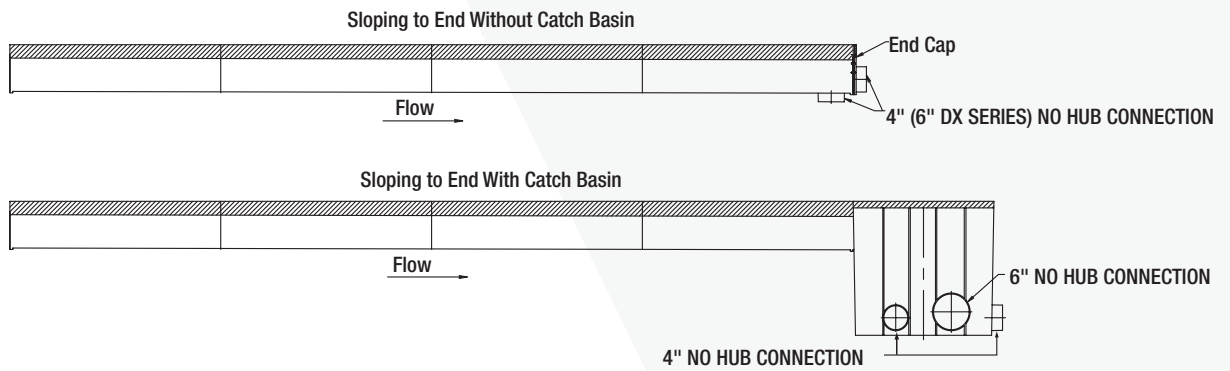


# Standard Configurations

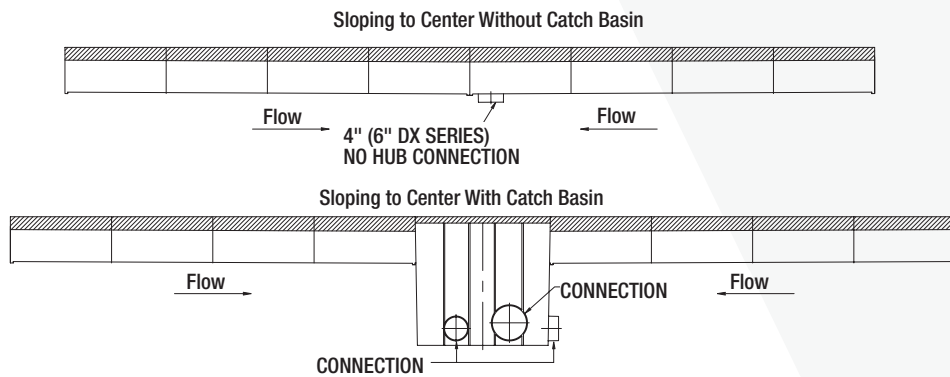
## Outlet Variations



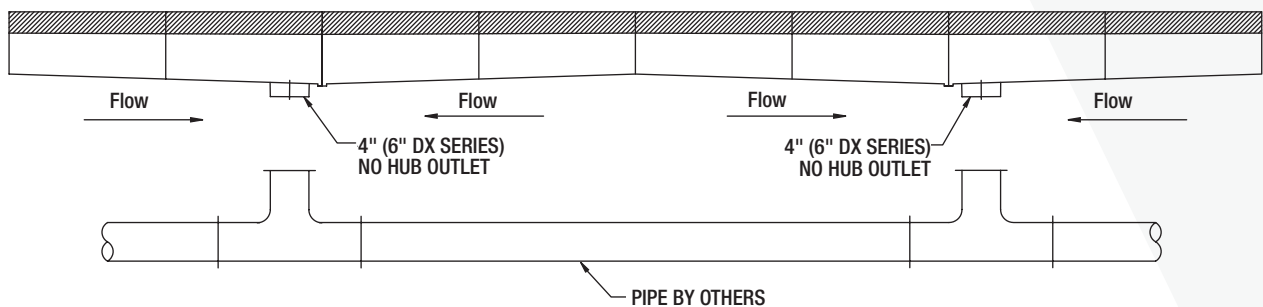
## Sloping to End



## Sloping to Center

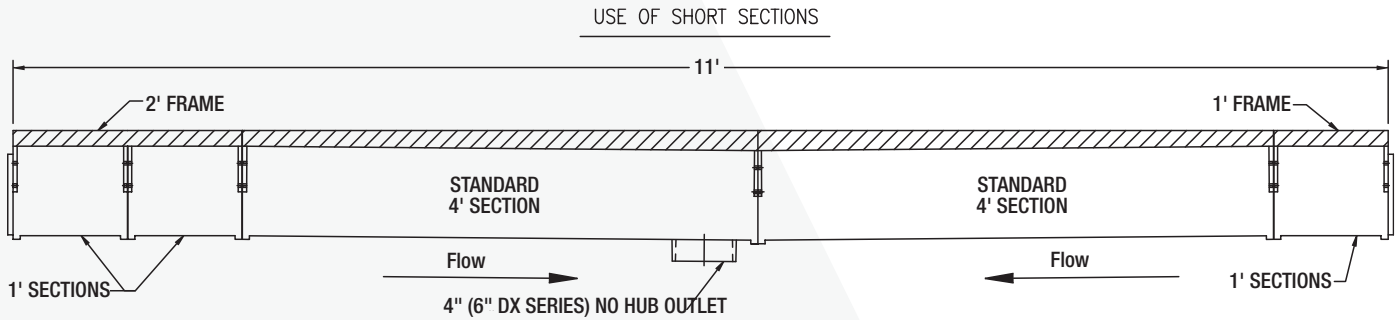


## Multiple Outlets

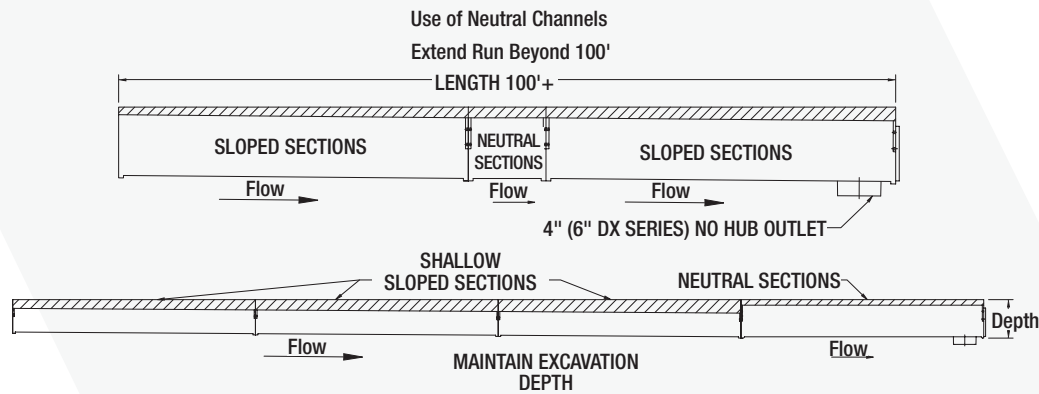


# Special Configurations

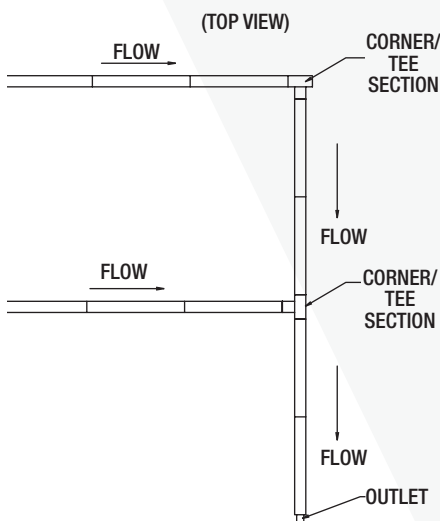
## Use of Short Section



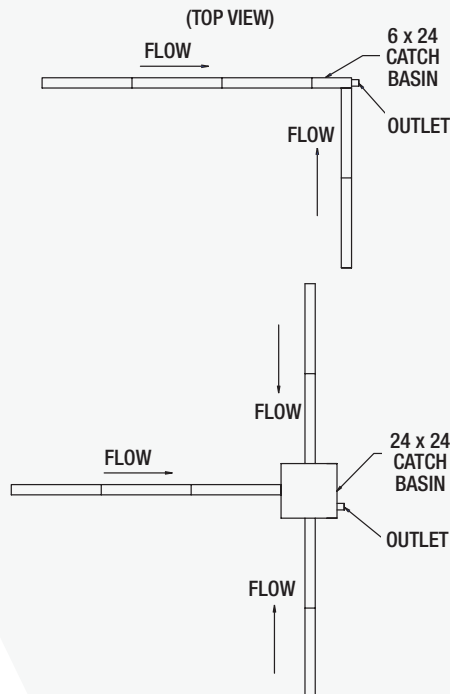
## Use of Neutral Channels



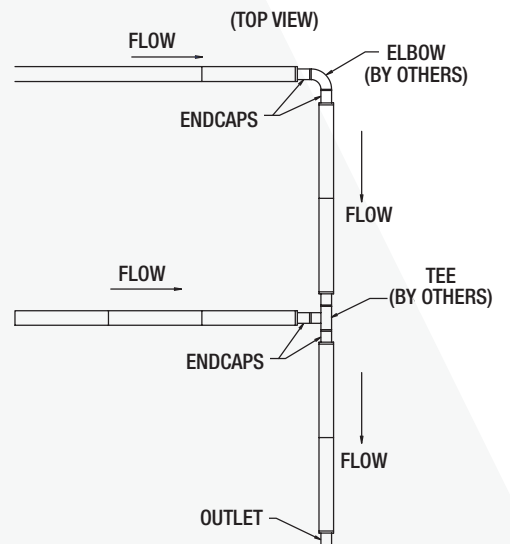
## Use of Corner & Tee Sections



## Corner or Tee w/Catch Basin



## Piped Corners and Tees

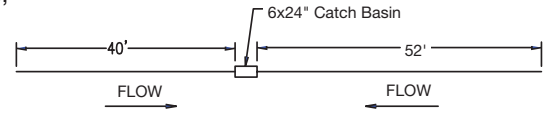


# How To Configure & Order Dead Level Trench System

Dead Level simple, all inclusive, by the foot quotation & ordering

## 1. Sketch General Layout

For each separate trench configuration show length(s), position of outlet(s), direction of flow(s), and position of catch basins (if required).



## 2. Specify System Type

### Ordering Code

6" Wide Ductile Iron Frame	D
12" Wide Ductile Iron Frame	DX
6" Wide Polypropylene	P
6" Wide, 3" Deep Ductile Iron Frame	S
6" Wide, 3" Deep Ductile Iron Frame w/Flanges For Precast	Z

## 3. Specify Grating

Brickslot	DLG-BK
Ductile Iron	DI
ADA Ductile Iron	DI-ADA
Galvanized Ductile Iron	GDI
Galvanized Steel Slotted	GS
Galvanized Steel Perforated	GP
Stainless Steel Slotted	SS
Stainless Steel Perforated	SP
Reinforced Galvanized Steel Slotted	RGS
Reinforced Galvanized Steel Perforated	RGP
Reinforced Stainless Steel Slotted	RSS
Reinforced Stainless Steel Perforated	RSP
Polypropylene	PP

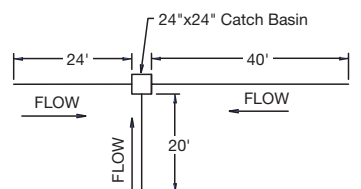
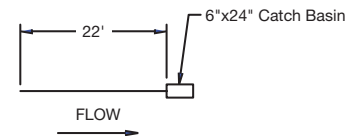
## Options

(If Required)	6x6x24" Catch Basin	B6
	24x24x24" Catch Basin	B24
	Galvanized Steel Frame Guards	FG
	Stainless Steel Frame Guards	FS

## Typical Examples

Ex.

P22-EO-RSS-B6-FS  
 P = Polypropylene Frame  
 22 = Trench Length in Feet  
 EO = End Outlet  
 RSS = Reinforced Stainless Steel Slotted Grates  
 B6 = 6x24x24" Catch Basin  
 FS = Stainless Steel Frame Guard  
 D = Ductile Iron Frame  
 84 = Trench Length in Feet  
 XO = Other Configuration (Provide Sketch or Describe)  
 DI = Ductile Iron Grates  
 B24 = 24x24x24" Catch Basin



# Chemical Resistance Data

## Polypropylene Resin

The user is advised to make his or her own tests to determine the suitability of polypropylene in the particular environment.

### A = Negligible effect

Should be suitable for all applications where these environmental conditions exist.

### B= Limited absorption or attack

Should be suitable for most applications.

### C= Extensive absorption and/or rapid permeation

Should be suitable for applications where only intermittent service is involved, or where the swelling produced has no detrimental effect on the part.

### D = Extensive attack

The specimen dissolves or disintegrates. Polypropylene is not recommended.

Environment	Concentration %	Temperature °C		
		20	60	100
Acetic acid (glacial)	97	A	B	-
Acetic acid	50	A	A	-
Acetic acid	40	A	-	-
Acetic acid	10	A	A	-
Acetone	100	A	A	-
Acetophenone	100	B	B	-
Acriflavine	2	A	A	-
(2% solution in H <sub>2</sub> O)			(80°C)	
Acrylic emulsion		A	A	-
Aluminum chloride		A	A	-
Aluminum fluoride		A	A	-
Aluminum sulfate		A	A	-
Alums (all types)		A	A	-
Ammonia (aqueous)	30	A	-	-
Ammonia gas (dry)		A	A	-
Ammonium carbonate	Satd.	A	A	-
Ammonium chloride	Satd.	A	A	-
Ammonium fluoride	20	A	A	-
Ammonium hydroxide	10	A	A	-
Ammonium metaphosphate	Satd.	A	A	-
Ammonium nitrate	Satd.	A	A	-
Ammonium persulfate	Satd.	A	A	-
Ammonium Sulfate	Satd.	A	A	-
Ammonium Sulfide	Satd.	A	A	-
Ammonium thiocyanate	Satd.	A	A	-
Amyl acetate	100	B	C	-
Amyl alcohol	100	A	B	-
Amyl chloride	100	C	C	-
Aniline	100	A	A-	-
Anisole	100	B	B	-
Antimony chloride		A	A	-
Aviation fuel (115/145 octane)	100	B	C	-
Aviation turbine fuel	100	B	C	-
Barium carbonate	Satd.	A	A	-
Barium chloride	Satd.	A	A	-
Barium hydroxide		A	A	-
Barium sulfate	Satd.	A	A	-
Barium sulfide	Satd.	A	A	-
Beer		A	A	-
Benzene	100	B	C	C
Benzoic acid	A	A	-	-
Benzyl alcohol		A	A	-
			(80°C)	
Bismuth carbonate	Satd.	A	A	-
Borax		A	A	-
Boric acid		A	A	-
Brine	Satd.	A	A	-
Bromine liquid	100	D	-	-
Bromine water	(a)	C	-	-
Butyl acetate	100	C	C	-
Butyl alcohol	100	A	A	-
Calcium carbonate	Satd.	A	A	-
Calcium chlorate	Satd.	A	A	-
Calcium chloride	50	A	A	-
Calcium hydroxide		A	A	-

Environment	Concentration %	Temperature °C		
		20	60	100
Calcium hypochlorite bleach	20 <sup>(a)</sup>	A	B	-
Calcium nitrate		A	-	-
Calcium phosphate	50	A	-	-
Calcium sulfate		A	A	-
Calcium sulfite		A	A	-
Carbon dioxide (dry)		A	A	-
Carbon dioxide (wet)		A	A	-
Carbon disulfide	100	B	C	-
Carbon monoxide		A	A	-
Carbon tetrachloride	100	C	C	C
Carbonic acid		A	A	-
Caster oil		A	-	-
Cetyl alcohol	100	A	-	-
Chlorine (gas)	100	D	D	-
Chlorobenzene	100	C	C	-
Chloroform	100	C	D	D
Chlorosulfonic acid	100	D	D	D
Chrome alum		A	A	-
Chromic acid	80 <sup>(a)</sup>	A	-	-
Chromic acid	50 <sup>(a)</sup>	A	A	-
Chromic acid	10 <sup>(a)</sup>	A	A	-
Chromic/sulfuric acid		D	D	-
Cider		A	A	-
Citric acid	10	A	A	-
Copper chloride	Satd.	A	A	-
Copper cyanide	Satd.	A	A	-
Copper fluoride	Satd.	A	A	-
Copper nitrate	Satd.	A	A	-
Copper sulfate	Satd.	A	A	-
Cottonseed oil		A	A	-
Cuprous chloride	Satd.	A	A	-
Cyclohexanol	100	A	B	-
Cyclohexanone	100	B	C	-
Decalin	100	C	C	C
Detergents	2	A	A	A
Developers (photographic)		A	A	-
Dibutyl phthalate	100	A	B	D
Dichloroethylene	100	A	-	-
Diethanolamine	100	A	A	-
Diisooctyl phthalate	100	A	A	-
Emulsifiers		A	A	-
Ethanolamine	100	A	A	-
Ethyl acetate	100	B	B	-
Ethyl alcohol	96	A	A	-
			(80°C)	
Ethyl chloride	100	C	C	-
Ethylene dichloride	100	B	-	-
Ethylene glycol		A	A	-
Ethylene oxide	100	B	-	-
		(10°C)		
Ethyl ether	100	B	-	-
Fatty acids (C <sub>6</sub> )	100	A	A	-
Ferric chloride	Satd.	A	A	-
Ferric nitrate	Satd.	A	A	-
Ferric sulfate	Satd.	A	A	-

# Chemical Resistance Data

Environment	Concentration %	Temperature °C		
		20	60	100
Ferrous chloride	Satd.	A	A	-
Ferrous sulfate	Satd.	A	A	-
Fluorosilicic acid		A	A	-
Formaldehyde	40	A	A	-
Formic acid	100	A	-	-
Formic acid	10	A	A	-
Fructose		A	A	-
Fruit juices		A	A	-
Furfural	100	C	C	-
Gas liquor		C	-	-
Gasoline	100	B	C	C
Gearbox oil	100	A	B	-
Gelatin		A	A	-
Glucose	20	A	A	-
Glycerine	100	A	A	A
Glycol		A	A	-
Hexane	100	A	B	-
Hydrobromic acid	50 <sup>(a)</sup>	A	A	-
Hydrochloric acid	30 <sup>(a)</sup>	A	B	D
Hydrochloric acid	20	A	A	-
Hydrochloric acid	10	A	(80°C)	B
Hydrochloric acid	2	A	(80°C)	A
50-50 HCl-HNO <sub>2</sub>	(a)	B	D	-
Hydrofluoric acid	40	A	-	-
Hydrofluoric acid	60 <sup>(a)</sup>	A	A	-
Hydrogen chloride gas (dry)	100	A	A	-
Hydrogen peroxide	30	A	-	D
Hydrogen peroxide	10	A	B	-
Hydrogen peroxide	3	A	-	-
Hydrogen sulfide		A	A	-
Hydroquinone		A	A	-
Inks		A	A	-
Iodine tincture		A	-	-
Isooctane	100	C	C	-
Isopropyl alcohol	100	A	A	-
Ketones		A	-	-
Lactic acid	20	A	A	-
Lanolin	100	A	A	-
Lead acetate	Satd.	A	A	-
Linseed oil	100	A	A	-
Lubricating oil	100	A	B	-
Magenta dye (aqueous solution)	2	A	A	-
Magnesium carbonate	Satd.	A	A	-
Magnesium chloride	Satd.	A	A	-
Magnesium hydroxide	Satd.	A	A	-
Magnesium nitrate	Satd.	A	A	-
Magnesium sulfate	Satd.	A	A	-
Magnesium sulfite	Satd.	A	A	-
Meat juices		A	A	-
Mercuric chloride	40	A	A	-
Mercuric cyanide	Satd.	A	A	-
Mercurous nitrate	Satd.	A	A	-
Mercury	100	A	A	-
Methyl Chloride	100	A	A	-
Methylene chloride	100	A	-	-
Methyl ethyl ketone	100	A	B	-
Milk and its products		A	A	A
Mineral oil		00	A	B
Molasses		A	A	-

Environment	Concentration %	Temperature °C		
		20	60	100
Motor oil	100	A	B	-
Naphthalene	100	A	A	a
Nickel chloride	Satd.	a	A	-
Nickel nitrate	Satd.	A	A	-
nickel sulfate	Satd.	A	A	-
Nitric acid	Fuming	D	D	D
Nitric acid	70 <sup>(a)</sup>	C	D	-
Nitric acid	60	A	D	-
Nutric acid	10	A	A	A
50-50 HNO <sub>3</sub> -HCl	(a)	B	D	-
50-50 HNO <sub>3</sub> -H <sub>2</sub> SO <sub>4</sub>	(a)	C	D	-
Nitrobenzene	100	A	A	-
Oleic acid		A	B	-
Oleum	-	-	D	-
Olive oil	100	A	A	-
Oxalic acid (aqueous)	50	A	B	-
Paraffin	100	A	B	-
Paraffin wax	100	A	A	-
Petrol	100	B	C	-
Petroleum ether (boiling point 100°-140°C)	100	C	C	-
Phenol	100	A	A	-
Phosphoric acid	95	A	A	-
Plating solutions, brass		A	A	-
Plating solutions, cadmium		A	A	-
Plating solutions, chromium		A	A	-
Plating solutions, copper		A	A	-
Plating solutions, gold		A	A	-
Plating solutions, indium		A	A	-
Plating solutions, lead		A	A	-
Plating solutions, nickel		A	A	-
Plating solutions, rhodium		A	A	-
Plating solutions, silver		A	A	-
Plating solutions, tin		A	A	-
Plating solutions, zinc		A	A	-
Potassium bicarbonate	Satd.	A	A	-
Potassium borate	1	A	A	-
Potassium bromate	10	A	A	-
Potassium bromide	Satd.	A	A	-
Potassium carbonate	Satd.	A	A	-
Potassium chlorate	Satd.	A	A	-
Potassium chloride	Satd.	A	A	-
Potassium chromate	40	A	A	-
Potassium cyanide	Satd.	A	A	-
Potassium dichromate	40	A	A	-
Potassium ferri-/ferrocyanide		A	A	-
Potassium fluoride		A	A	-
Potassium hydroxide	50	A	A	-
Potassium hydroxide	10	A	A	A
Potassium nitrate	Satd.	A	A	-
Potassium perborate	Satd.	A	A	-
Potassium perchlorate	10	A	A	-
Potassium permanganate	20	A	A	-
Potassium sulfate		A	A	-
Potassium sulfide		A	A	-
Potassium sulfite		A	A	-
Propyl alcohol	100	A	A	-
Pyridine	100	A	-	-
Silicone oil	100	A	A	-
Soap solution (concentrated)		A	A	-
Sodium acetate		A	A	-
Sodium bicarbonate	Satd.	A	A	-
Sodium bisulfate	Satd.	A	A	-

# Chemical Resistance Data

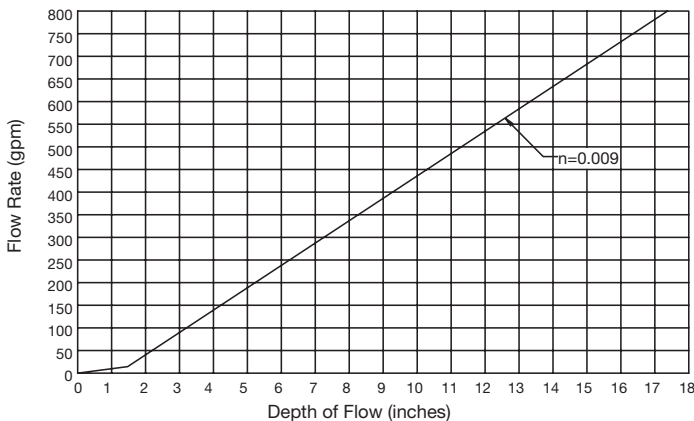
Environment	Concentration %	Temperature °C		
		20	60	100
Sodium bidulfite	Satd.	A	A	-
Sodium borate		A	A	-
Sodium bronide oil solution		A	A	-
Sodium carbonate	Satd.	A	A	-
Sodium chlorate	Satd.	A	A	-
Sodium chloride	Satd.	A	A	A
Sodium chlorite	2	A	A	-
		(80°C)		
Sodium chlorite	5	A	A	-
		(80°C)		
Sodium chlorite	10	A	A	-
		(80°C)		
Sodium chlorite	20	A	A	-
		(80°C)		
Sodium cyanide	Satd.	A	A	-
Sodium dichromate	Satd.	A	A	-
Sodium ferricyanide	Satd.	A	A	-
Sodium ferrocyanide	Satd.	A	A	-
Sodium ferrocyanide	Satd.	A	A	-
Sodium fluoride	Satd.	A	A	-
Sodium hydroxide	50	A	A	-
Sodium hydroxide	10	A	A	A
Sodium hypochlorite	20	A	B	B
Sodium nitrate		A	A	-
Sodium nitrite		A	A	-
Sodium silicate		A	A	-
Sodium sulfate	Satd.	A	A	-
Sodium sulfide	25	A	A	-
Sodium sulfite	Satd.	A	A	-
Stannic chloride	Satd.	A	A	-
Stannous chloride	Satd.	A	A	-
Starch		A	A	-
Sugars and syrups		A	A	-
Sulfamic acid		A	A	-
		(80°C)		
Sulfates of Calcium and magnesium		A	A	-
	Satd.			
Sulfates of potassium and sodium		A	A	-

Environment	Concentration %	Temperature °C		
		20	60	100
Sulfur		A	A	-
Sulfuric acid	98 <sup>(a)</sup>	C	-	D
Sulfuric acid	60	A	B	-
			(80°C)	
Sulfuric acid	50	A	B	-
Sulfuric acid	10	a	A	A
50-50H <sub>2</sub> SO <sub>4</sub> /HNO <sub>3</sub>	(a)	C	D	-
			(80°C)	
Tallow		A	A	-
Tanic acid	10	A	A	-
Tartaric acid		A	A	-
Tetrahydrofurm	100	C	C	C
Tetralin	100	C	C	C
Toluene	100	C	C	-
Transformer oil	100	A	C	-
Trichloroacetic acid	10	A	A	-
Trichloroethylene	100	A	A	-
			(80°C)	
Turpentine	100	C	C	C
Urea		A	A	-
Urine		A	A	-
Water (distilled, soft, hard and vapor)		A	A	A
Wet chlorine gas		-	D	-
			(70°C)	
Whiskey		A	A	A
White Paaraffin	100	A	B	-
			(80°C)	
White spirit	100	B	C	-
Wines		A	A	-
Xylene	100	C	C	C
Yeast		A	A	-
Zinc chloride	Satd.	A	A	-
Zinc oxide		A	A	-
Zinc sulfate	Satd.	A	A	-

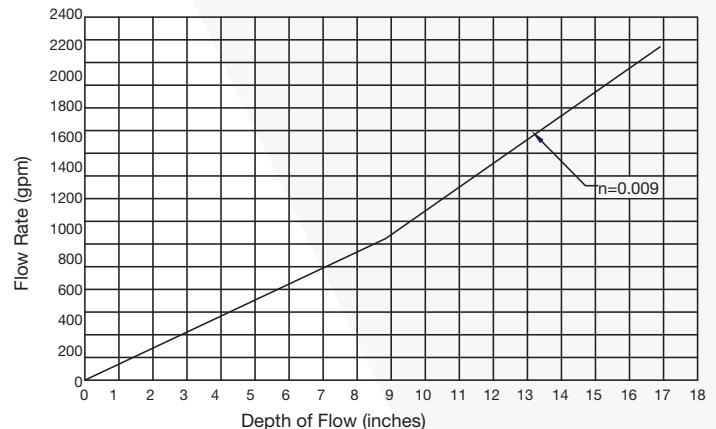
(a) May produce cracking in material under stress

## Flow Data

### DL 6" FLOW



### DLX 12" FLOW





**Notes:**



## Notes:



## Watts Family of Brands

Watts designs, manufactures, and sells an extensive line of flow control, water safety, water filtration & treatment, drainage, and PEX plumbing products.

The Watts family of companies provides a single source for solutions used to safely convey, conserve, and manage water.

Making Watts your single source for plumbing-related solutions will streamline your operations, save you money, and reduce the variety of repair parts needed for maintenance.



USA: Tel: (800) 338-2581 • Fax: (828) 248-3929 • [Watts.com](http://Watts.com)

Canada: Tel: (888) 208-8927 • Fax: (888) 479-2887 • [Watts.ca](http://Watts.ca)

Latin America: Tel: (52) 55-4122-0138 • [Watts.com](http://Watts.com)