

Series DRVMN

Patented Diaphragm Pressure Reducing Valve

Size: DN15-DN50

The DRVN Series pressure reducing valves are devices capable of reducing the pressure of the fluid downstream to the desired level and keeping it constant even in the presence of major variations in the flow rate and/or pressure upstream, by modifying its pressure drops.

Features

- Patented Diaphragm PRV
- Stainless steel integral strainer
- Pressure gauge M3A-ABS50 series (scale 0-6 bar)
- Materials in contact with fluids KTW certified
- Noise < 20 dB

Pressure-Temperature

- Nominal Pressure: PN25
- Temperature Range: 0°C~30°C

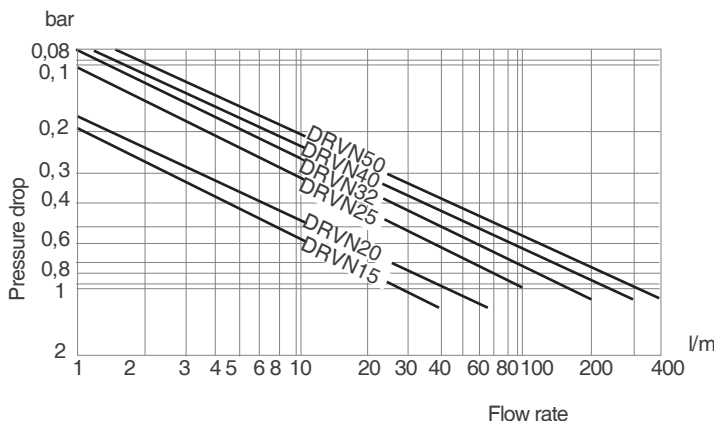
Material

NO.	Component	Material	Standard
1	Body	Sand-blasted	CW617N
2	Cap	Sand-blasted(DRV) , Reinforced polymer (DRVN)	CW617N
3	Adjustment knob	Brass	CW617N
4	Setting screw		
5	Spring	Galvanized steel	
6	Diaphragm	NBR reinforced with nylon fabric compliant with KTW and W270 - KTW	
7	Inlet connection	Brass	CW617N
8	Pin		
9	Plug	Brass	CW617N
10	Filters	Stainless steel	
11	Outlet connection	Brass	CW617N

Installation Dimension

DN	L	L1	H	H1	Weight(kg)
1/2"	84	135	113	16.5	0.7
3/4"	94	151	133	20.5	1.0
1"	104	161	140	26	1.4
1 1/4"	109	175	192	29.5	2.2
1 1/2"	134	214	200	36	3.5
3"	144	224	205	42	4.3

Characteristic Curve



Specification

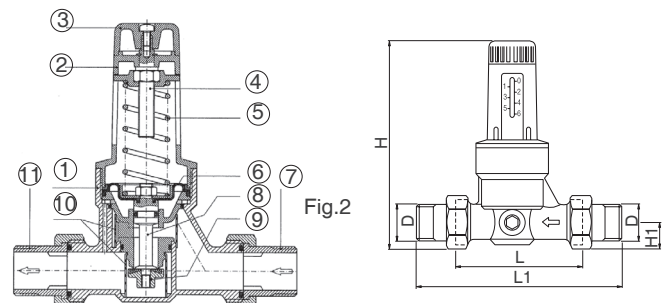
- Design Standard: EN1567
- Connection Standard: DIN-ISO228/1
- Pressure Reducing Range: 1.5 to 6 bar
- Pressure drop less than 1.3 bar at a characteristic flow rate
- Mediums: water, air, and neutral gases

Test Pressure

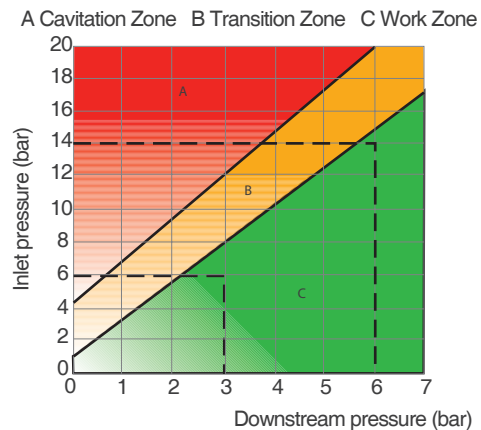
Pneumatic

12bar

Approval



Cavitation Chart



Watts reserves the right to change or modify product design, construction, specifications, or materials without prior notice and without incurring any obligation to make such changes and modifications on Watts products previously or subsequently sold.