

Series W-WECBV-16Z

Wafer Type Electric Control Ball Valve

Size: DN65-DN150

W-WECBV series electric control ball valves are widely used in fluid control of central air conditioning, heating, water treatment, industrial processing and other systems. The actuator model used in conjunction is W-A13 series. The actuator receives the standard regulating or switching signal and rotates the ball to the specified position.

Features

- Unique V-shaped inlet design realizes accurate equal percentage flow control characteristics
- Concise structure of flow passage largely avoids blockage, safe and reliable
- High flow capacity, low resistance loss
- Double-seal design, leakage free and double-security
- Ultra-silence channel to ensure quiet environment
- High shut-off pressure, high pressure
- Equipped with manual switch and opening indication

Working Principle

W-WECBV series electric control ball valve is driven by the angular travel actuator W-A13. The actuator drives the valve to change the flow area between the ball and the valve seat by receiving the regulating signal (0 (2)-10V or 0 (4)-20mA) or switching signal, so as to control the flow rate passing through the valve and realize the automatic regulation function.

Material

Component	Material
Valve Body	HT250
Valve Seat	PTFE+EPDM
Valve Ball	Stainless Steel 304
Valve Shaft	HPB58-2
Seal Ring	HNBR

Product Type

Model	Type	Size	Kvs	Supporting Actuator
W-WECBV2065D-16Z	Two-way valve	DN65	42	W-A13D series
W-WECBV2080D-16Z	Two-way valve	DN80	70	W-A13D series
W-WECBV2100E-16Z	Two-way valve	DN100	110	W-A13E series
W-WECBV2125F-16Z	Two-way valve	DN125	190	W-A13F series
W-WECBV2150F-16Z	Two-way valve	DN150	258	W-A13F series



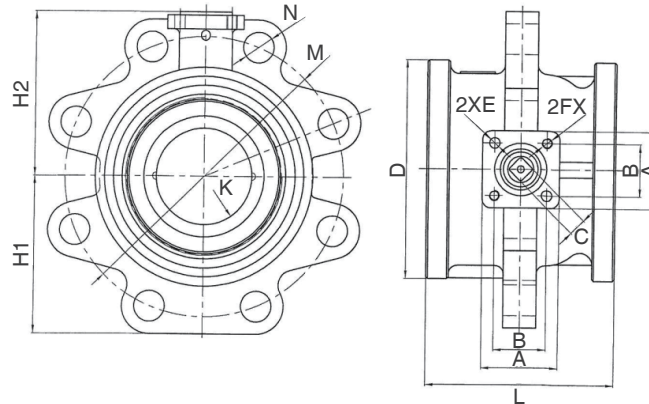
Specification

- Nominal Pressure: PN16
- Working Temperature: 5~95°C
- Protection Level: IP54
- Connection Standard: GB/T 17241.6
- Turn-off Differential Pressure: 600Kpa
- Flow Characteristics: Equal percentage characteristic curve
- Leakage Rate: Control path $\leq 0.01\%Kvs$
- Regulating Mode: Angular travel 90°
- Working Medium: Air conditioning cold and hot water, $\leq 50\%$ ethylene glycol solution

Model Description

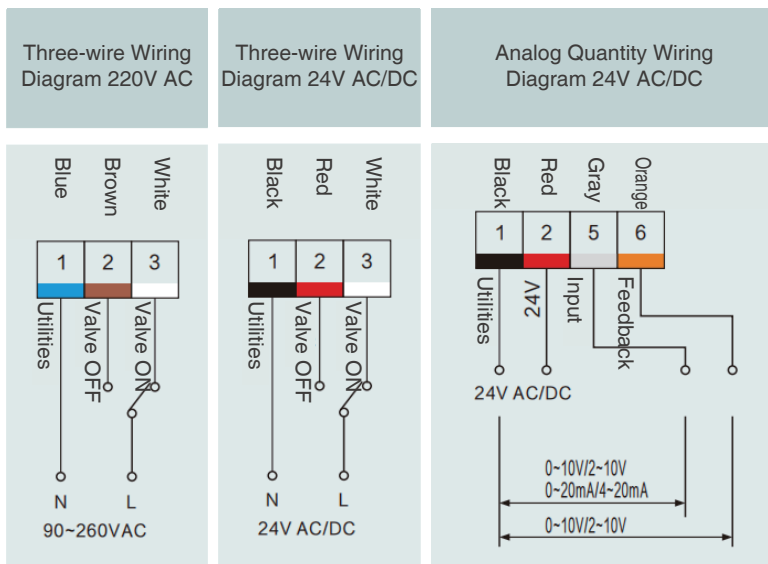
W	WATTS	W-	WECBV	2	065	D	F-	16	Z
WECBV	Wafer electric control ball valve								
Diameter									
2: Two-way									
Size									
065-DN65:		080-DN80							
100-DN100:		125-DN125							
150-DN150:									
Supporting actuator									
D: 15Nm		E: 20Nm							
F: 30Nm		Blank: Not configured							
Control mode									
Blank: regulating type		F: on-off type							
Pressure-bearing grade		PN16							
Valve body material		Cast iron							

Installation Dimensions



Size	A (mm)	B (mm)	C×C (mm)	D (mm)	H1 (mm)	H2 (mm)	L (mm)	M (mm)	N (mm)
DN65	44	30	10×10	105	67	86	93	145	4 xφ18
DN80	44	30	10×10	125	90	94	108	160	8 xφ18
DN100	52	35	12×12	148	99	103	120	180	8 xφ18
DN125	52	35	12×12	179	114	117	144.5	210	8 xφ18
DN150	52	35	12×12	205	138	131	167	240	8 xφ22

Wiring Diagram



Installation Instruction

- In order to debug conveniently, the opening and closing condition of the ball in the valve body shall be understood, thus the top plane of the valve stem is engraved with a straight slot, and its direction is consistent with the direction of the ball passing through the hole;
- It shall be installed according to the direction of flow indicated by the valve body;
- The ball valve can be installed horizontally or vertically, but it cannot be installed upside down.