

Installation Instructions

IntelliStation® Sensor Replacement

Temperature and Pressure Sensors

WARNING



Read this Manual **BEFORE** using this equipment. Failure to read and follow all safety and use information can result in death, serious personal injury, property damage, or damage to the equipment. Keep this Manual for future reference.



⚠ DANGER



Electricity, electrocution and shock hazards.

NOTICE

- Temperature sensor wires are non-polarized and can be connected to either terminal for a given sensor. Pressure and flow sensors are terminal specific and need to be wired according to the illustration.
- Only change one sensor at a time to reduce the potential of connecting the wrong sensor to the wrong terminal.
- Water quality can cause scale to build up on sensor housing. Sensors may malfunction due to this scale and may only need to be cleaned and not replaced.
- It is good practice to use small stickers to “flag” each sensor lead to better identify wires.

⚠ CAUTION

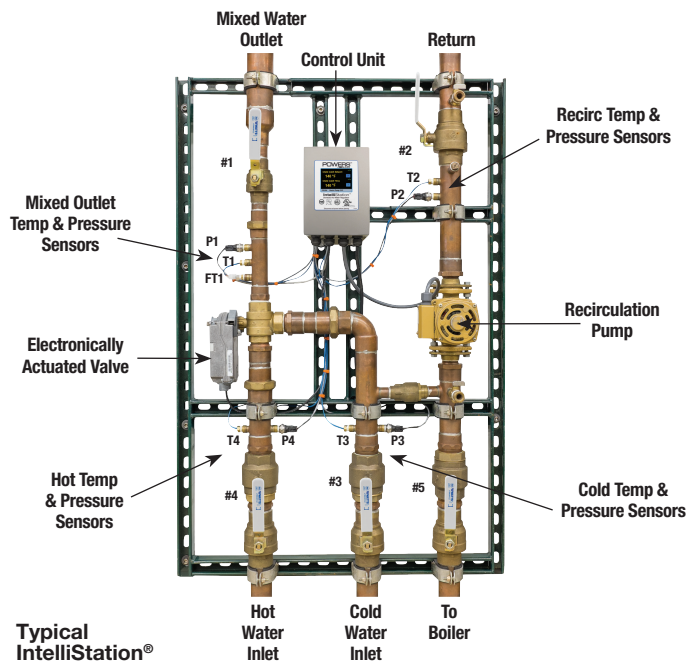
There are two types of pressure sensors used on IntelliStations, a 150psi and a 200psi sensor. Do not change sensor types. Doing so will result in errors and improper operation.

Contact Tech Support to determine which sensor is installed on your particular unit.

Product Description

The IntelliStation® is electronic water mixing system providing user-directed control and monitoring of water distribution systems. IntelliStation® includes an electronically actuated valve that mixes hot water with cold water, temperature sensors (plus a quick response temperature sensor), pressure sensors, check valves, and a recirculation pump to maintain the recirculation loop temperature (reducing wait time for tempered water to reach point-of-use fixtures, saving water and energy).

DESCRIPTION	ORDER #	WT. (LBS)
150psi Pressure Sensor (P1–P4)	81019288	.25
200psi Pressure Sensor (P1–P4)	88005572	
High Speed Temperature Sensor (FT1)	81019289	
Temperature Sensor (T1–T4)	81019061	



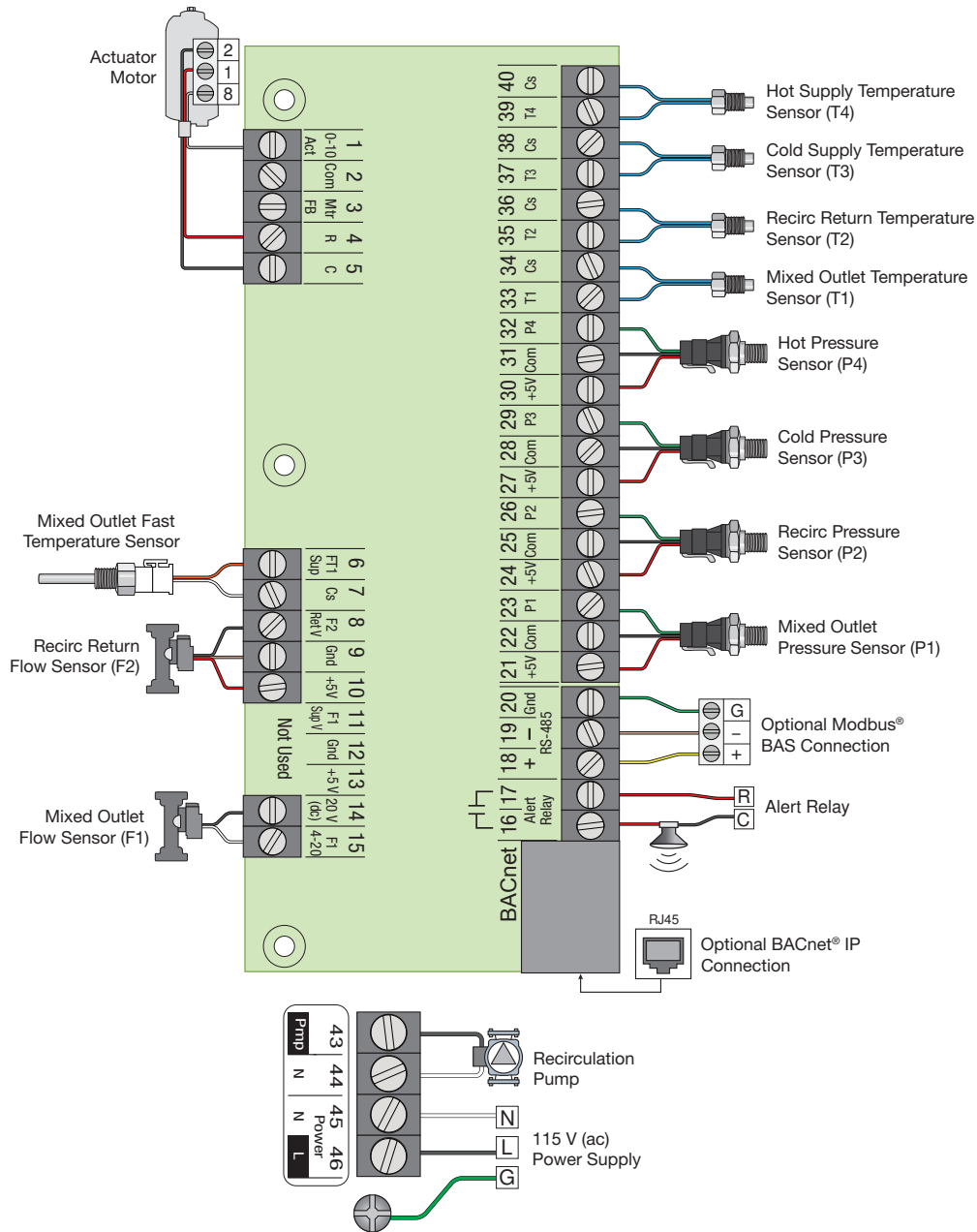
Typical IntelliStation®

Sensor Care and Replacement

The following guidelines should be followed whenever servicing any, or all, sensors on the Watts IntelliStation panel.

1. Disconnect the power supply from the IntelliStation panel.
2. Disconnect power to the circulator, if present. Circulators are optional and may be powered through the IntelliStation or they may be independently powered.
3. Close ball valves 1-5.
4. If replacing sensor, identify connection points for sensor being replaced on main circuit board (see illustration).
5. Remove sensor from IntelliStation and disconnect from circuit board.
6. Connect new sensor to circuit board and reconnect on panel. Teflon tape should be applied to thread to ensure a water-tight seal.
7. Repeat with each sensor needing to be replaced.
8. Open ball valves 1, 2, and 5 and let the system stabilize for 30 seconds.
9. Open ball valves 3 and 4.
10. Check sensors and verify no leaks are detected. If leaks are detected repeat steps 3, 5–9.
11. Reconnect power to the circulator.
12. Reconnect power to the IntelliStation and turn on.
13. Verify no error codes are presented on the IntelliStation monitor. Refer to the main IntelliStation Installation and Operations Manual for error codes.

When the IntelliStation resumes operation there will be air in the system. This will naturally diffuse out over time.



The Seller warrants that the equipment manufactured by it and covered by this order or contract is free from defects in material and workmanship and, without charge, equipment found to be defective in material or workmanship will be repaired, or at Seller's option replaced F.O.B. original point of shipment, if written notice of failure is received by Seller within one (1) year after date of shipment (unless specifically noted elsewhere), provided said equipment has been properly installed, operated in accordance with the Seller's instructions, and provided such defects are not due to abuse or decomposition by chemical or galvanic action. THIS EXPRESS WARRANTY IS IN LIEU OF AND EXCLUDES ALL OTHER WARRANTIES, GUARANTEES, OR REPRESENTATIONS, EXPRESS OF IMPLIED. THERE ARE NO IMPLIED WARRANTIES OF MERCHANTABILITY OR OF FITNESS FOR A PARTICULAR PURPOSE. The Seller assumes no responsibility for repairs made on the Seller's equipment unless done by the Seller's authorized personnel, or by written authority from the Seller. The Seller makes no guarantee with respect to material not manufactured by it.

POWERS™

A WATTS Brand

USA: T: (800) 669-5430 • F: (847) 229-0526 • PowersControls.com
 Canada: T: (888) 208-8927 • F: (888) 479-2887 • PowersControls.ca
 Latin America: T: ((52) 55-4122-0138 • PowersControls.com