

Series W-W1111-L

Series W-W1111-G

Wafer-Type Butterfly Valve

Size: DN50-DN150 (-L)
DN50-DN600 (-G)

The Watts Series W-W1111 butterfly valves are designed and manufactured to meet the stringent requirements of plumbing, HVAC, irrigation, commercial and industrial application.

Features

- Simple structure, easy to operate
- Simple installation, excellent sealing performance
- High reliability and long durability
- Position indicators

Pressure - Temperature

- Maximum Working Pressure: PN16
- Working Temperature: -15 °C - 120 °C

Material

Component	Material	Standard
Body	Ductile Iron(Epoxy-coated)	QT450-10
Disc	Stainless Steel	CF8
Seat	Ductile Iron(Epoxy-coated)	QT450-10
Seat	EPDM	
Stem	Stainless Steel	2Cr13

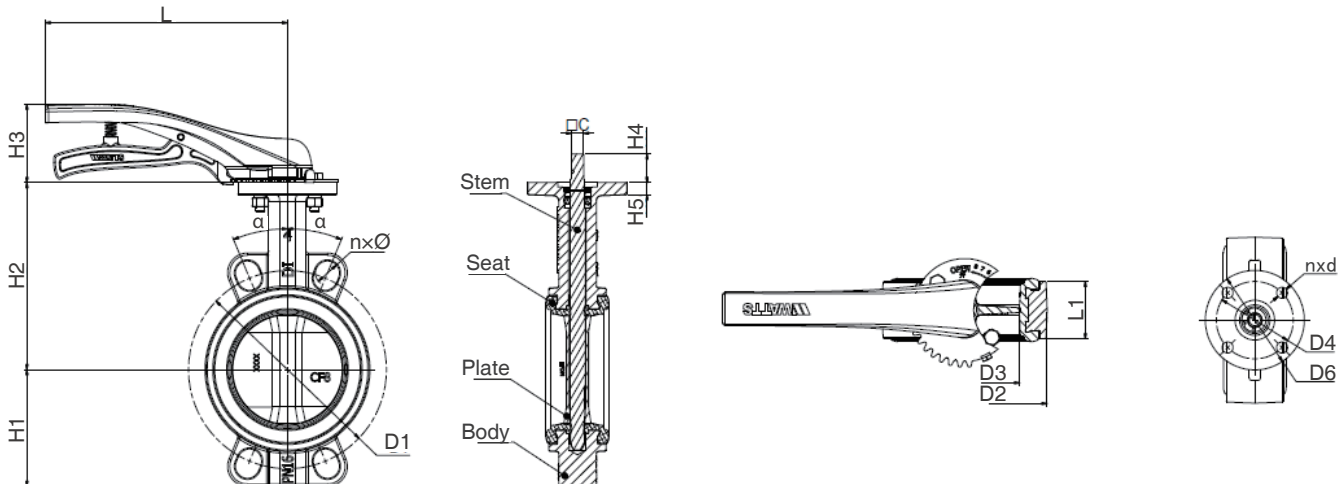


Specification

- Design Standard: GB/T12238-2008
- Connection Standard: GB/T 17241.6
- Test Standard: GB/T 13927-2008
- Connection Type: wafer type
- Working Medium: water

Installation Dimensions

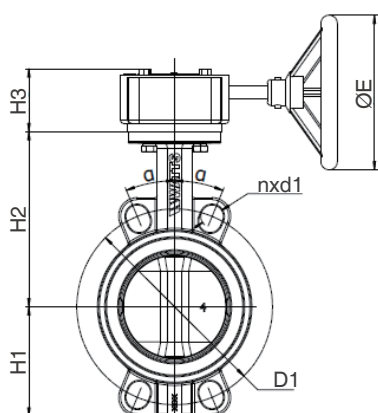
1. Wafer-type lever operated midline butterfly valve (W-W1111-L)



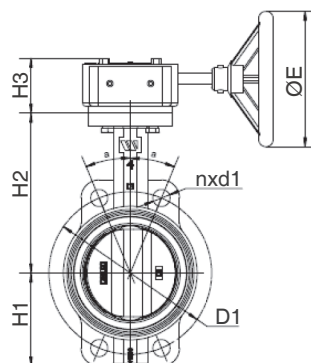
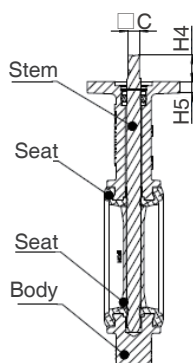
DN	H1	H2	H3	H4	L1	L	□C	D1	n x Ø	α	D2	D3	D4	n x Ød	D6	H5
50	62	136	71.2	24	43	218	9	Ø125	4 x Ø19	45°	Ø91	Ø54	Ø70	4 x Ø10	Ø92	13
65	70	145	71.2	24	46	218	9	Ø145	4 x Ø19	45°	Ø108	Ø70	Ø70	4 x Ø10	Ø92	13
80	89	151	71.2	24	46	218	9	Ø160	4 x Ø19	22.5°	Ø123	Ø85	Ø70	4 x Ø10	Ø92	13
100	106	170	71.2	26	52	218	11	Ø180	4 x Ø19	22.5°	Ø150	Ø100	Ø70	4 x Ø10	Ø92	13
125	119	190	71.2	26	56	304	14	Ø210	4 x Ø19	22.5°	Ø178	Ø128	Ø70	4 x Ø10	Ø92	13
150	131	203	71.2	26	56	304	14	Ø240	4 x Ø23	22.5°	Ø205	Ø155	Ø70	4 x Ø10	Ø92	13

Watts reserves the right to change or modify product design, construction, specifications, or materials without prior notice and without incurring any obligation to make such changes and modifications on Watts products previously or subsequently sold.

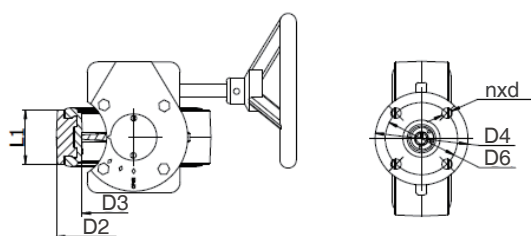
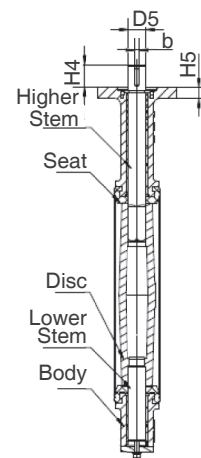
2. Wafer-type gear operated midline butterfly valve (W-W1111-G)



DN50-DN300



DN350-DN600



DN50-DN600

DN	H1	H2	H3	H4	L1	ØE	□C/D5	b	D1	nxd1	α	D2	D3	D4	nxd	D6	H5
50	62	136	62	24	43	Ø150	□9	/	Ø125	4XØ19	45°	Ø91	Ø54	Ø70	4XØ10	Ø92	13
65	70	145	62	24	46	Ø150	□9	/	Ø145	4XØ19	45°	Ø108	Ø70	Ø70	4XØ10	Ø92	13
80	89	151	62	24	46	Ø150	□9	/	Ø160	4XØ19	22.5°	Ø123	Ø85	Ø70	4XØ10	Ø92	13
100	106	170	62	26	52	Ø150	□11	/	Ø180	4XØ19	22.5°	Ø150	Ø100	Ø70	4XØ10	Ø92	13
125	119	190	62	26	56	Ø150	□14	/	Ø210	4XØ19	22.5°	Ø178	Ø128	Ø70	4XØ10	Ø92	13
150	131	203	62	26	56	Ø150	□14	/	Ø240	4XØ23	22.5°	Ø205	Ø155	Ø70	4XØ10	Ø92	13
200	164	245.5	74	33	60	Ø196	□17	/	Ø295	4XØ23	15°	Ø262	Ø200	Ø102	4XØ12	Ø125	17
250	199	271	74	27	68	Ø250	□22	/	Ø355	4XØ28	15°	Ø314	Ø250	Ø102	4XØ12	Ø125	17
300	230	296	84.5	27	78	Ø280	□22	/	Ø410	4XØ28	15°	Ø366	Ø300	Ø102	4XØ12	Ø140	17
350	280	328	84.5	40	78	Ø280	Ø31.6	8	Ø470	4XØ28	11.25°	Ø408	Ø331	Ø125	4XØ14	Ø150	20
400	315	376	105	52	102	Ø400	Ø33.15	10	Ø525	4XØ31	11.25°	Ø472	Ø387	Ø140	4XØ18	Ø175	20
450	345	407	105	52	114	Ø400	Ø38	10	Ø585	4XØ31	9°	Ø528	Ø437.5	Ø140	4XØ18	Ø175	22
500	383	433	98	64	127	Ø400	Ø41.15	10	Ø650	4XØ34	9°	Ø582	Ø487.5	Ø165	4XØ22	Ø210	22
600	475	508	118	70	154	Ø400	Ø50.65	16	Ø770	4XØ37	9°	Ø675	Ø575.1	Ø165	4XØ22	Ø210	22