

Series W-DP915-25T

W-DP915-25T-EN-202104

Electric Dynamic Balancing Two-way Valve

Size: DN15-DN25

The Series W-DP915 electric dynamic balancing two-way valve is designed for FCU or heating system. Through opening or closing the valve, the room temperature is regulated. Moreover, the valve can effectively help the system to avoid dynamic hydraulic disturbances and keep the flow rate stable, so as to achieve more accurate temperature control.

Features

- On/Off control according to control signals
- Dynamic flow balancing to eliminate mutual disturbance of terminal equipment
- Higher system control precision than that of a traditional variable flow system
- Able to preset flow on-site
- Convenient for on-site debugging, higher system operation efficiency

Working Principle

In traditional cooling and heating systems, FCUs are usually controlled by electric two-way valves. When some FCUs are closed, the flows through the running FCUs increase, leading to room temperature fluctuation. To solve this problem, the Series W-DP915 electric dynamic balancing two-way valve, controlled by an electro-thermic actuator, is designed. It is a two-in-one valve that plays the roles of both an electric two way valve and a dynamic differential pressure balancing valve. When the room temperature reaches the set value, the room thermostat will send a signal to the electro-thermic actuator to close the valve. When the room temperature is greater (cooling system) or lower (heating system) than the set value, the valve will be opened in a similar way.

Material

NO.	Material	Standard
1	Body	Anti-dezincification Brass CW602N
2	Differential Pressure	SS304
3	Valve Spool Control Valve Spool	Brass
4	Diaphragm	HNBR
5	Spring	304 Spring Steel
6	Seal Ring	HNBR
7	Valve Stem Seal	HNBR
8	Stem	
9	Measuring Nozzle	Anti-dezincification Brass CW602N
10	Actuator	Shell: Flame retardant PC Actuator Internals: POM

Product Model

Type	Size	Working Pressure (Kpa)	Preset Flow(m³/h)							
			30%	40%	50%	60%	70%	80%	90%	100%
W-DP915015TP-25T	DN15	30-400	0.31	0.42	0.53	0.63	0.74	0.84	0.95	1.05
W-DP915020TP-25T	DN20	30-400	0.31	0.42	0.53	0.63	0.74	0.84	0.95	1.05
W-DP915025TP-25T	DN25	30-400	0.3	0.5	0.75	1	1.3	1.6	1.9	2.3
W-DP915015-25T	DN15	30-400	0.31	0.42	0.53	0.63	0.74	0.84	0.95	1.05
W-DP915020-25T	DN20	30-400	0.31	0.42	0.53	0.63	0.74	0.84	0.95	1.05
W-DP915025-25T	DN25	30-400	0.3	0.5	0.75	1	1.3	1.6	1.9	2.3

Note: The factory default is 100% preset flow.



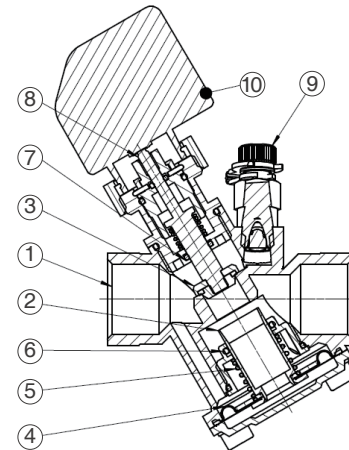
Specification

- Connection Standard: ISO 7-1
- IP Grade of Actuator: IP54
- Control Characteristic: On/Off control
- Working Voltage: 220VAC 50Hz
- Startup Time: 5min
- Working Medium: Water/Ethylene Glycol/Propylene Glycol

Pressure - Temperature

- Nominal Pressure: PN25
- Temperature Range: 0°C~110°C
- Working Differential Pressure: 30-400KPa
- Seat leakage: EN 1349

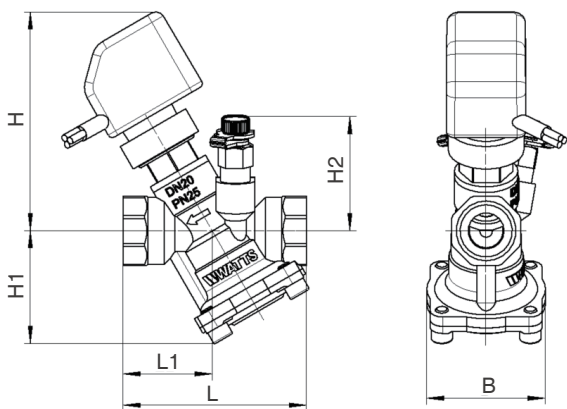
DN15-20: No visible leakage at 400kPa /0.05%Kvs at 600kPa
 DN25: No visible leakage at 200kPa /0.05%Kvs at 400kPa



Watts reserves the right to change or modify product design, construction, specifications, or materials without prior notice and without incurring any obligation to make such changes and modifications on Watts products previously or subsequently sold.



Installation Dimensions

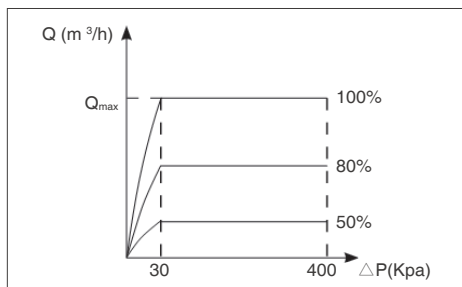


Size	Thread	L(mm)	L1(mm)	B(mm)	H(mm)	H1(mm)	H2(mm)	Weight(Kg)
DN15	Rp 1/2	82	39.9	55	102	53	53	0.67
DN20	Rp 3/4	85	41.4	55	102	53	53	0.69
DN25	Rp 1	96	44.6	60	102	63	58	0.95

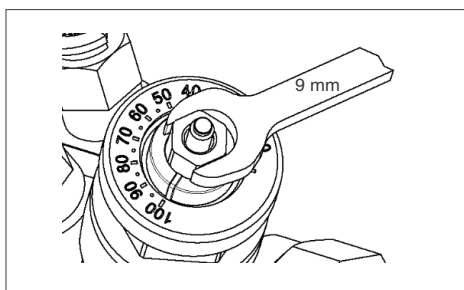
Flow Setting

Through the hexagonal at the top of the valve, 30% to 100% of opening can be preset, with the factory default of 100%. This function can not only meet the needs of special users, but also improve the control accuracy.

Differential pressure flow characteristics



Opening regulation

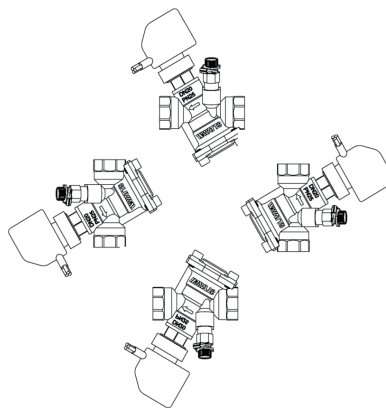


Model Description

W	WATTS	W-	DP	9	15	015-	TP	-25	T
DP	Electric Dynamic Balancing								
9	Electric								
15	Series								
Size									
015-DN15	020-DN20								
025-DN25									
Working Differential Pressure									
TP: With measuring joint	None: Without measuring joint								
Pressure									
25: PN25									
Body Material	Brass								

Installation Instructions

Installation direction: IP54 can be installed in any position.



Actuator Wire Diagram

